

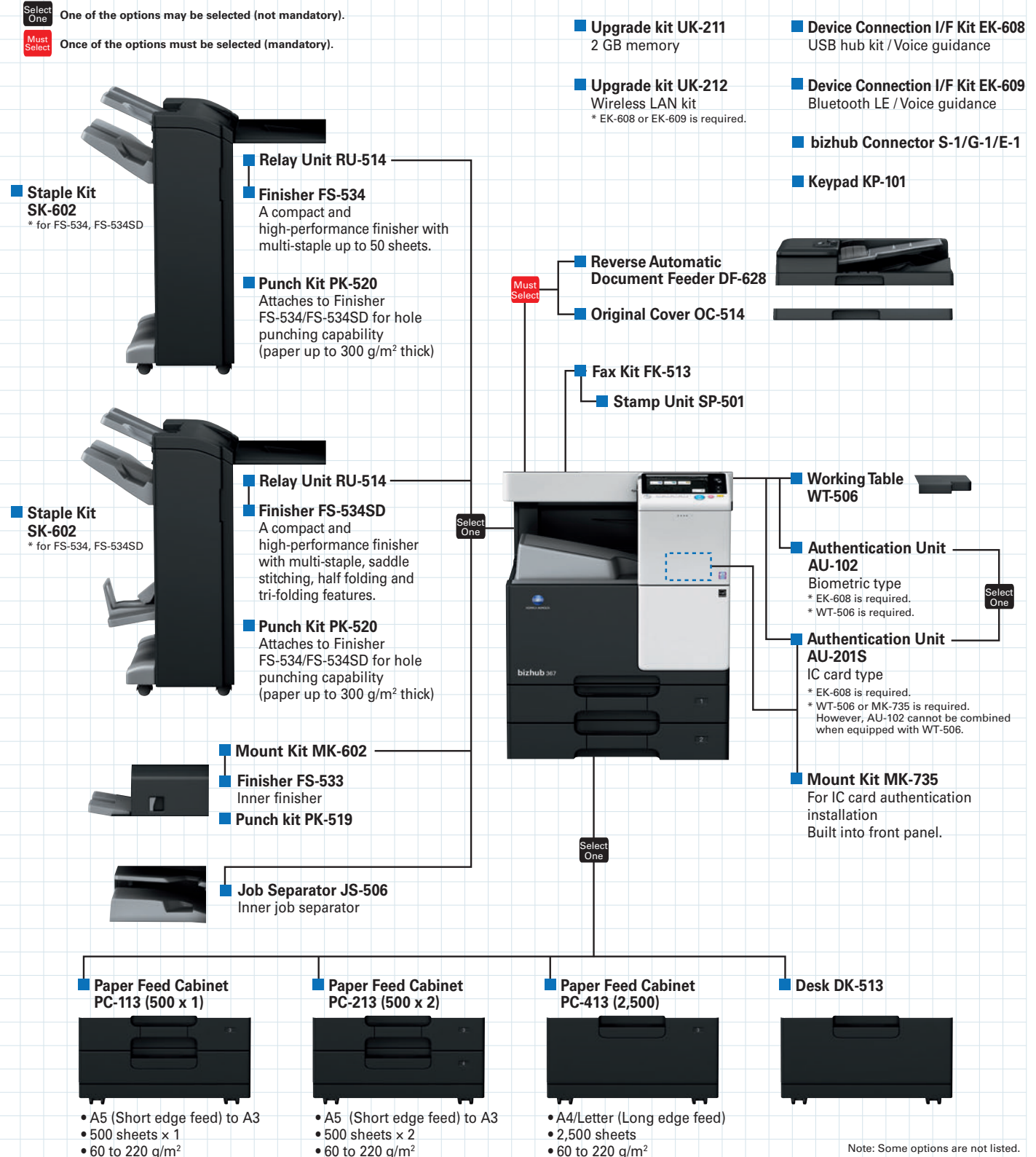
System

Select One

One of the options may be selected (not mandatory).

Must Select

Once of the options must be selected (mandatory).



Specifications

bizhub 367/287/227 General Specifications

		bizhub 367	bizhub 287	bizhub 227
Type	Desktop Printer / Copier / Scanner			
Copy Resolution	Scan	Main: 600 dpi Sub: 600 dpi		
	Print	1,800 dpi (equivalent) 600 dpi		
Gradation	256			
Memory Capacity (Std./Max.)	2 GB/4 GB			
SSD	250 GB (optional)			
Original Type	Sheets, Books, Objects			
Max. Original Size	A3 (11" 17")			
Output Size	Main unit: A3 to A5, 11" 17" to 8-1/2" 11", 5-1/2" 8-1/2", 8" 13" ¹⁾ , 16K, 8K Bypass Tray: A3 to A5, B6 ²⁾ , A6 ²⁾ , 11" 17" to 5-1/2" 8-1/2", 8" 13" ²⁾ , 16K, 8K, Postcard (A6 (4" 6" Card)), Envelope ³⁾ , Label sheet, Tab paper ⁴⁾			
Image Loss	Max. 4.2mm or less for top edge (5 mm for thin paper), Max. 3.0mm or less for bottom edge, Max. 3.0mm or less for right/left edges ⁵⁾ A loss of 4.2 mm each during printing.			
Warm-Up Time ⁶⁾ (23 C, std. voltage)	20 sec. or less			
^{*)} The time required to start printing when both the main power and sub-power switches are turned from OFF to ON.				
^{*)} The time required to start printing when the main power switch is ON and the sub-power switch is turned from OFF to ON.				
First Copy Out Time ⁵⁾	4.5 sec. or less		5.3 sec. or less	
Copy Speed (A4)	36 ppm		28 ppm	
Copy Magnification	Fixed Same Magnification	1: 1 0.5% or less		
	Scaling Up	1: 1.154/1.224/1.414/2.000		
	Scaling Down	1: 0.866/0.816/0.707/0.500		
	Preset	3 types		
	Zoom	25 to 400% (in 0.1% increments)		
	Lengthwise Crosswise Individual Settings	25 to 400% (in 0.1% increments)		
Paper Capacity (70 g/m ²)	Tray 1	525 sheets (up to B4)		
	Tray 2	525 sheets (up to B4)		
	Multiple Bypass Tray	100 sheets (up to A3)		
Max. Paper Capacity (70 g/m ²) ⁶⁾	3,775 sheets			
Paper Weight	Tray 1 / 2	60 to 220 g/m ²		
	Multiple Bypass Tray	60 to 220 g/m ²		
Multiple Copy	1 to 9,999 sheets			
Auto Duplex	Paper Size	A3 to A5 ²⁾ , B5 ²⁾ , 11" 17" ²⁾ to 5-1/2" 8-1/2" ²⁾ , 7-1/4" 10-1/2", 8" 13" ²⁾ , 16K, 8K ²⁾		
	Paper Weight	60 to 209 g/m ²		
Power Requirements	AC230 V 7 A (50 to 60 Hz)			
Max. Power Consumption	1.5 kW or less			
Dimensions [W] [D] [H]	585 660 735 mm (23-1/16" 26" 28-15/16")			
Weight	Approx. 56.5 kg (124-1/2 lb)			
Space Requirements [W] [D] ^{*)} [H] ^{*)}	899 1,172 mm (35-1/2" 46-1/4")			

*1 There are six types of foolscap: 8-1/2" 13-1/2" ²⁾, 220 mm 330 mm ²⁾, 8-1/2" 13" ²⁾, 8-1/4" 13" ²⁾, 8-1/8" 13-1/4" ²⁾, and 8" 13" ²⁾. Any one of these sizes is selectable. For details, contact your service representative.

*2 Short edge feed 

*3 Wrinkles or printing errors may occur due to the type, storage or environment that exists when envelope printing is carried out.

*4 May vary depending on the operating environment and usage.

*5 A4 long edge feed full size/using the first tray/scanning from the original glass surface.

*6 With options installed.

*7 Long edge feed 

*8 Without options, with paper trays pulled out and multiple bypass tray openned.

Printer Specifications

Type	Embedded	
CPU	ARM Cortex-A7 Dual-core 1.2GHz	
Memory	Shared with the copier	
Print Speed	Same as Copy Speed (when using the same original)	
HDD	250 GB (Shared with the copier)	
Print Resolution	1,800 dpi (equivalent) 600 dpi	
PDL	PCL 6, PostScript 3 Emulation, XPS	
Protocol	TCP/IP, IPX/SPX (NDS support), SMB (NetBEUI), LPD, IPP1.1, SNMP, AppleTalk	
Support OS	Windows Vista ^{*)} / 7 ^{*)} / 8 ^{*)} / 8.1 ^{*)} / 10 ^{*)} Windows Server 2008 ^{*)} / 2008 R2 / 2012 / 2012 R2 Mac OS X (10.6 / 10.7 / 10.8 / 10.9 / 10.10 / 10.11) Linux	
Fonts	PCL	80 Roman fonts
	PS	137 Roman Type1 fonts
Interface	Ethernet (10BASE-T/100BASE-TX/1000BASE-T), USB 1.1, USB 2.0, IEEE 802.11 b/g/n ^{*)}	

*1 Supports the 32-bit (x86) or 64-bit (x64) environment.

*2 Optional

Scanning Specifications

Type	Full-Colour Scanner	
Interface	Ethernet (10BASE-T/100BASE-TX/1000BASE-T), IEEE 802.11 b/g/n ^{*)}	
Driver	TWAIN Driver, HDD TWAIN Driver	
Protocol	TCP/IP (FTP, SMB, SMTP, WebDAV) (IPv4/IPv6)	
Scanning Speed (Colour/B&W) (300 dpi, A4, Simplex)	45 opm ^{*)}	
Scanning Size	Max. A3 (11" 17")	
Output Format	TIFF, JPEG, PDF, Compact PDF, XPS, Compact XPS, OOXML (pptx, xlsx ^{*)} , docx ^{*)} , Searchable PDF ^{*)} , PDF/A ^{*)} , Linearised PDF ^{*)}	
Scanning Resolution	Push	200 dpi / 300 dpi / 400 dpi / 600 dpi
	Pull	100 dpi / 200 dpi / 300 dpi / 400 dpi / 600 dpi
Main Functions	Scan to E-Mail, Scan to FTP, Scan to BOX (HDD), Scan to PC (SMB), Network TWAIN, Scan to WebDAV, Scan to USB, Scan to Scan Server, Scan to Web Service (WSD-Scan), Device Profile for Web Services (DPWS)	
Other Functions	Multi-Method Send, Authentication at the time of E-Mail send (SMTP authentication, POP before SMTP), S/MIME, Annotation	

*1 Optional

*2 When using the Reverse Automatic Document Feeder DF 628.

Internet Fax

Protocol	TX: SMTP RX: POP3, TCP/IP Simple mode
Connection Mode	Full-Mode
Sending Paper Size	A3, B4, A4
Recording Paper Size	Max. A3
Resolution	B/W: 200 100 dpi, 200 200 dpi, 400 400 dpi, 600 600 dpi Colour: 200 200 dpi, 400 400 dpi, 600 600 dpi
Interface	Ethernet (10BASE-T/100BASE-TX/1000BASE-T)
Colour	Support Colour Internet Fax
Format	B/W: TIFF-F Colour: TIFF (Conforms to RFC3949 Profile-C)

Fax Kit FK-513 (Optional)

*Optional HDD will be needed if MFP does not equip the HDD as standard.

Communication	Super G3
Compatible Lines	Public Switch Telephone Network, Private Branch Exchange, Fax Communication Line
Line Density	Ultra Fine: 600 dpi 600 dpi Super Fine: 16 dot/mm 15.4 line/mm, 400 dpi 400 dpi Fine: 8 dot/mm 7.7 line/mm, 200 dpi 200 dpi Normal: 8 dot/mm 3.85 line/mm
Modem Speed	2.4 to 33.6 kbps
Compression	MH/MR/MMR/JBIG
Sending Paper Size	Max. A3 (Long Length Support: Max.1,000 mm)
Recording Paper Size	Max. A3 (Long Length Max. 1,000 mm — following the page division —)
Transmission Speed	Less than 2 sec. (A4, V34, 33.6 kbps, JBIG)
Memory	Shared with the copier
Number of Abbr. Dials	2,000
Number of Program Dials	400
Number of Group Dials	100
Sequential Multiple Station Transmission	Max. 600

IP Address Fax

*Optional Fax Kit FK-513 is required.

Protocol/Transmission	TCP/IP, SMTP
Sending Paper Size	A3, B4, A4
Resolution	200 200 dpi, 400 400 dpi, 600 600 dpi
Format	B/W: TIFF-F, TIFF-S Colour: TIFF, PDF

Reverse Automatic Document Feeder DF-628 (Optional)

Type	Circulatory duplex system	
Support Paper Size	Max. A3 (Fax mode: Max. 1,000 mm)	
Mixed Size	Support	
Original Set	Centre guide	
Support Paper Weight	Simplex: 35 to 128 g/m ² Duplex/Mixed Original: 50 to 128 g/m ²	
Paper Capacity	Max. 130 sheets (68 g/m ²)	
Productivity (A4)	Simplex	Colour/B&W: 45 opm (300 dpi), 36 opm (600 dpi)
	Duplex	Colour/B&W: 22 opm (300 dpi), 17 opm (600 dpi)
Power Requirements	Supplied from the MFP main body	
Dimensions [W] [D] [H]	585 504 127 mm (23" 19-3/4" 5")	
Weight	Approx. 9 kg (19-3/4lb)	

Finisher FS-533 (Optional)

*Optional Mount Kit MK-602 is required.

Type	Finisher	
Support Paper Type	Plain paper (60 to 90 g/m ²), Thick paper (91 to 220 g/m ²), Transparency, Envelope, Label sheet, Letterhead paper, Tab paper	
Support Paper Size	A3 to A5, B6 ¹⁾ , A6 ¹⁾ , 11" 17" to 5-1/2" 8-1/2", 16K, 8K, Postcard (A6 (4" 6" Card))	
Mode	Sort, Group, Offset Sort, Offset Group, Staple	
Stacking Capacity	500 sheets (60 to 90 g/m ² , A4 ^{*)} or smaller) 250 sheets (60 to 90 g/m ² , B4 or larger) 10 sheets (91 to 220 g/m ² , special paper)	
Staple Capacity	50 sheets (60 to 90 g/m ² , A4 ^{*)} or smaller) 30 sheets (60 to 90 g/m ² , B4 or larger) 2 sheets (91 to 209 g/m ² , as cover pages)	
Power Requirements	Supplied from the MFP main body	
Max. Power Consumption	40 W or less	
Dimensions [W] [D] [H]	472.5 583.5 194.7 mm (18-1/2" 23" 7-3/4")	
Weight	Approx. 12 kg (26-1/2 lb)	

*1 Short edge feed 

Punch Kit PK-519 (Optional)

Applicable	Finisher FS-533	
Number of holes	2 holes or 4 holes	
Support Paper Type (Weight)	Plain paper (60 to 90 g/m ²), Thick paper (91 to 157 g/m ²)	
Support Paper Size	A3 to B5, 11" 17" to 7-1/4" 10-1/2"	
Power Requirements	Supplied from Finisher FS-533	
Dimensions [W] [D] [H]	110.2 483.5 203.2 mm (4-1/2" 19" 8")	
Weight	Approx. 3.2 kg (7 lb)	

Specifications

Job Separator JS-506 (Optional)

Support Paper Type (Weight)	Tray 1	Plain paper (60 to 90 g/m ²), Thick paper (91 to 220 g/m ²), Transparency, Envelope, Label sheet
	Tray 2	Plain paper (60 to 90 g/m ²), Thick paper (91 to 220 g/m ²), Transparency, Envelope, Label sheet
Support Paper Size	A3 to A5, B6 ¹ , A6 ¹ , 11" x 17" to 5-1/2" x 8-1/2", 16K, 8K, Postcard (A6 (4" x 6" Card))	
Stacking Capacity	Tray 1	100 sheets (60 to 90 g/m ²)
	Tray 2	150 sheets (60 to 90 g/m ²)
Power Requirements	Supplied from MFP main body	
Max. Power Consumption	24 W or less	
Dimensions [W] x [D] x [H]	451 x 469 x 227 mm (17-3/4" x 18-1/2" x 9")	
Weight	Approx. 1.5 kg (3-1/4 lb)	

*1 Short edge feed 

Finisher FS-534 (Optional)

Type	Finisher	
Support Paper Type	Plain paper (60 to 90 g/m ²), Thick paper (91 to 220 g/m ²), Transparency, Envelope, Label sheet, Letterhead paper, Tab paper	
Support Paper Size	A3 to A5, B6 ¹ , A6 ¹ , 11" x 17" to 5-1/2" x 8-1/2", 16K, 8K, Postcard (A6 (4" x 6" Card))	
Mode	Sort, Group, Offset Sort, Offset Group, Staple	
Stacking Capacity	Output tray 1 (Sub tray)	200 sheets (60 to 90 g/m ²) 20 sheets (91 to 220 g/m ² , special paper)
	Output tray 2 (Main tray)	3,000 sheets (60 to 90 g/m ² , A4* ¹ or smaller, B5 or larger) 1,500 sheets (60 to 90 g/m ² , B4 or larger) 500 sheets (60 to 90 g/m ² , A5 or smaller) 20 sheets (91 to 220 g/m ² , special paper)
	Output tray 3 (Relay Unit top surface)	100 sheets (60 to 90 g/m ²) 20 sheets (91 to 220 g/m ² , special paper)
Staple Capacity	50 sheets (Plain Paper 60 to 90 g/m ²)	
	48 sheets (Plain paper 60 to 90 g/m ²) + 2 sheets (Thick paper 91 to 209 g/m ²)	
	30 sheets (Thick paper 91 to 120 g/m ²)	
	15 sheets (Thick paper 121 to 209 g/m ²)	
Power Requirements	Supplied from the MFP main body	
Max. Power Consumption	56 W or less	
Dimensions [W] x [D] x [H]	528 x 641 x 1,023 mm (20-3/4" x 25-1/4" x 40-1/4")	
Weight	Approx. 40 kg (88-1/4 lb)	

*1 Short edge feed 

Finisher FS-534SD (Optional)

Type	Finisher	
Support Paper Type	Thin paper/Plain paper (60 to 90 g/m ²), Thick paper (91 to 220 g/m ²), Transparency, Envelope, Label sheet, Letterhead paper, Tab paper Centre Staple: 60 to 90 g/m ² Half-Fold: 60 to 209 g/m ² (more than 91 g/m ² Thick paper can be used only as a cover page) Tri-Fold: 60 to 90 g/m ²	
Support Paper Size	A3 to A5, B6 ¹ , A6 ¹ , 11" x 17" to 5-1/2" x 8-1/2", 16K, 8K, Postcard (A6 (4" x 6" Card)), Centre Staple, Half-Fold: A3, B4, A4 ¹ , 11" x 17", 8-1/2" x 14", 8-1/2" x 11" ¹ , 8K Tri-Fold: A4 ¹ , 8-1/2" x 11" ¹ , 16K ¹	
Mode	Sort, Group, Offset Sort, Offset Group, Staple	
Staple Capacity	50 sheets (Plain Paper 60 to 90 g/m ²)	
	48 sheets (Plain paper 60 to 90 g/m ²) + 2 sheets (Thick paper 91 to 209 g/m ²)	
	30 sheets (Thick paper 91 to 120 g/m ²)	
	15 sheets (Thick paper 121 to 209 g/m ²)	
Maximum Number of Sheets that can be Centrestapled	20 (60 to 90 g/m ²) sheets, or 19 (90 g/m ²) sheets + Thick (209 g/m ²) 1 sheet	
Maximum Number of Folded Sheets	Half-Fold: 5 sheets or Thick (91 to 209 g/m ²) 1 sheet, Tri-Fold: 3 sheets	
Stacking Capacity	Output tray 1 (Sub tray)	200 sheets (60 to 90 g/m ²), 20 sheets (91 to 220 g/m ² , special paper)
	Output tray 2 (Main tray)	3,000 sheets (60 to 90 g/m ² , A4* ¹ or smaller, B5 or larger) 1,500 sheets (60 to 90 g/m ² , B4 or larger) 500 sheets (60 to 90 g/m ² , A5 or smaller) 20 sheets (91 to 220 g/m ² , special paper)
	Output tray 3 (Relay Unit top surface)	100 sheets (60 to 90 g/m ²) 20 sheets (91 to 220 g/m ² , special paper)
Folding output tray	1 to 3 sheets: 20 sets 4 to 10 sheets: 10 sets 11 to 20 sheets: 5 sets Tri-Fold (1 sheet): 30 sets Tri-Fold (2-3 sheets): 10 sets	
Power Requirements	Supplied from the MFP main body	
Max. Power Consumption	56 W or less	
Dimensions [W] x [D] x [H]	528 x 641 x 1,023 mm (20-3/4" x 25-1/4" x 40-1/4")	
Weight	Approx. 64 kg (141 lb)	

*1 Short edge feed 

Punch Kit PK-520 (Optional)

Applicable	Finisher FS-534/FS-534SD
Number of holes	2 holes or 4 holes
Support Paper Type (Weight)	Plain paper (60 to 90 g/m ²), Thick paper (91 to 220 g/m ²)
Support Paper Size	A3 to B5, 11" x 17" to 7-1/4" x 10-1/2", 16K, 8K
Power Requirements	Supplied from Finisher FS-534/FS-534SD
Dimensions [W] x [D] x [H]	61 x 492 x 142 mm (2-1/2" x 19-1/2" x 5-1/2")
Weight	Approx. 1.8 kg (4 lb)


Paper Feed Cabinet PC-113 (Optional)

Support Paper Type (Weight)	Plain paper (60 to 90 g/m ²) Thick paper (91 to 220 g/m ²)
Support Paper Size	A3 to A5 ¹ , 11" x 17" to 5-1/2" x 8-1/2", 8" x 13", 16K, 8K
Paper Capacity Top tray (Tray 3)	Plain paper: 500 sheets, Thick paper: 150 sheets
Power Requirements	Supplied from the MFP main body
Dimensions [W] x [D] x [H]	564 x 640 x 298 mm (22-1/4" x 25-1/4" x 11-3/4")
Unit Configuration	Paper tray, 1 level
Weight	Approx. 23 kg (50-3/4 lb)

*1 Short edge feed 

Paper Feed Cabinet PC-213 (Optional)

Support Paper Type (Weight)	Plain paper (60 to 90 g/m ²) Thick paper (91 to 220 g/m ²)
Support Paper Size	A3 to A5 ¹ , 11" x 17" to 5-1/2" x 8-1/2", 8" x 13", 16K, 8K
Paper Capacity Top tray (Tray 3)	Plain paper: 500 sheets, Thick paper: 150 sheets
Bottom tray (Tray 4)	Plain paper: 500 sheets, Thick paper: 150 sheets
Power Requirements	Supplied from the MFP main body
Dimensions [W] x [D] x [H]	564 x 640 x 298 mm (22-1/4" x 25-1/4" x 11-3/4")
Unit Configuration	Paper tray, 2 level
Weight	Approx. 26 kg (57-1/4 lb)

*1 Short edge feed 

Paper Feed Cabinet PC-413 (Optional)

Support Paper Type (Weight)	Plain paper (60 to 90 g/m ²) Thick paper (91 to 220 g/m ²)
Support Paper Size	A4 ¹ , 8-1/2" x 11" ¹
Paper Capacity	Plain paper: 2,500 sheets, Thick paper: 1,000 sheets
Power Requirements	Supplied from the MFP main body
Dimensions [W] x [D] x [H]	564 x 640 x 298 mm (22-1/4" x 25-1/4" x 11-3/4")
Unit Configuration	Paper tray, 2 level
Weight	Approx. 24.5 kg (54 lb)

*1 Long edge feed 

Authentication Unit (IC Card type) AU-201S (Optional)

Applicable Card	FeliCa (iDm), SSFC, FCF, FCF (campus), FeliCa Private, TypeA MIFARE (UID), NFC (Host Card Emulation)
Interface	USB 2.0
Power Supply	Power received from USB port
Dimensions [W] x [D] x [H]	98 x 64 x 13 mm (3-7/8" x 2-1/2" x 1/2") (not including projections)
Weight	Approx. 100 g (1/4 lb)

Authentication Unit (Biometric type) AU-102 (Optional)

Biometric Sensor System	Transmission-type optical system
Interface	USB 2.0
Verification Time	Approx. 1 sec. or less
Max. Power Consumption	DC 5 V 500 mA
Dimensions [W] x [D] x [H]	59 x 82 x 74 mm (2-1/4" x 3-1/4" x 3")
Weight	Approx. 96 g (1/4 lb) (excluding USB cable)

i-Option

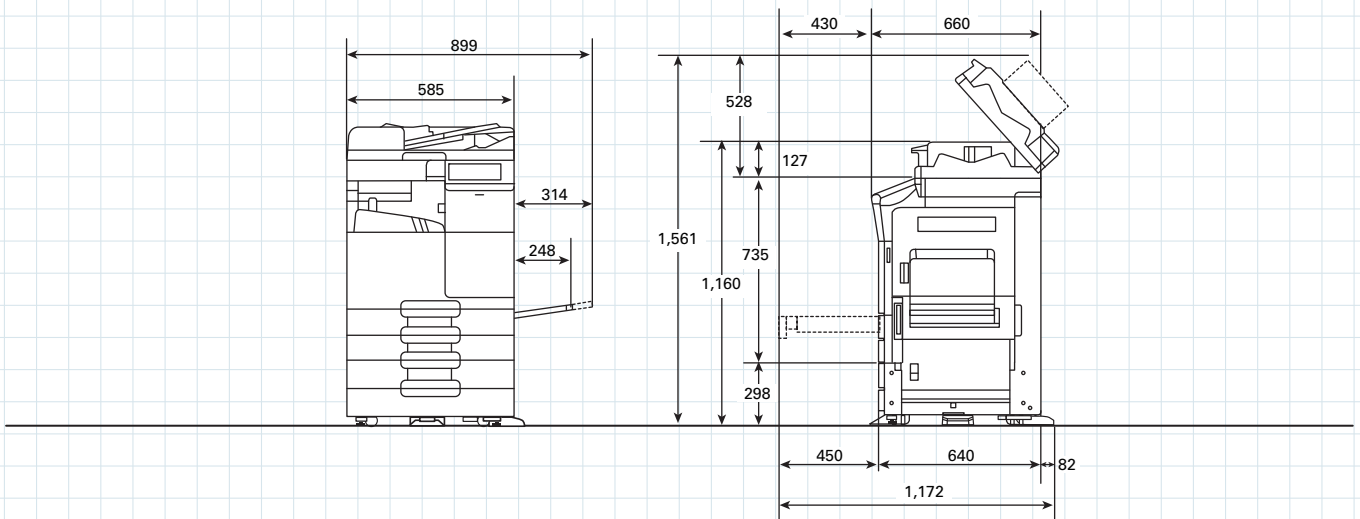
Model	Function	Note
i-Option LK-102 v3	Encrypted PDF or PDF/A (1a/1b)	Upgrade Kit UK-211 is required.
i-Option LK-104 v3	Voice guidance*1	
i-Option LK-105 v4	Searchable PDF	
i-Option LK-106	Barcode font (Code39, QR Code, PDF417)	
i-Option LK-107	Unicode font	
i-Option LK-108	OCR font (OCR-A, OCR-B (PCL))	
i-Option LK-110 v2	File format extension package	Upgrade Kit UK-211 is required.
i-Option LK-111	ThinPrint function	
i-Option LK-114	Server-less Pull Printing function	Upgrade Kit UK-211 is required.
i-Option LK-115 v2	TPM function	Not available in China.

*1 Device Connection I/F Kit EK-608 or EK-609 is required.

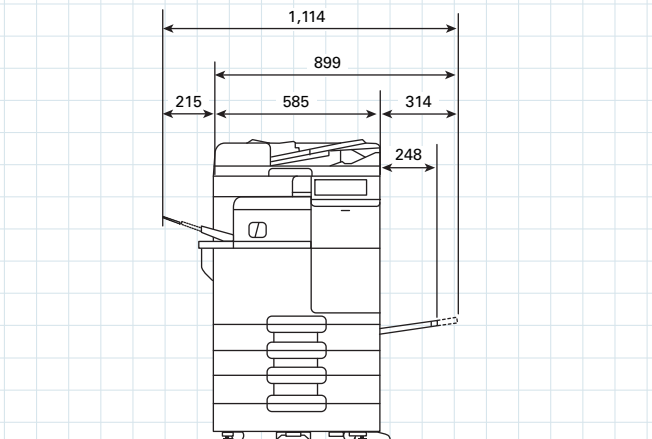
Space Requirements

Dimensions (unit: mm)

■ bizhub 367/287/227 + DF-628 + PC-213 (PC-113/PC-413/DK-513)



■ bizhub 367/287/227 + DF-628 + PC-213 (PC-113/PC-413/DK-513) + FS-533



■ bizhub 367/287/227 + DF-628 + PC-213 (PC-113/PC-413/DK-513) + RU-514 + FS-534SD

