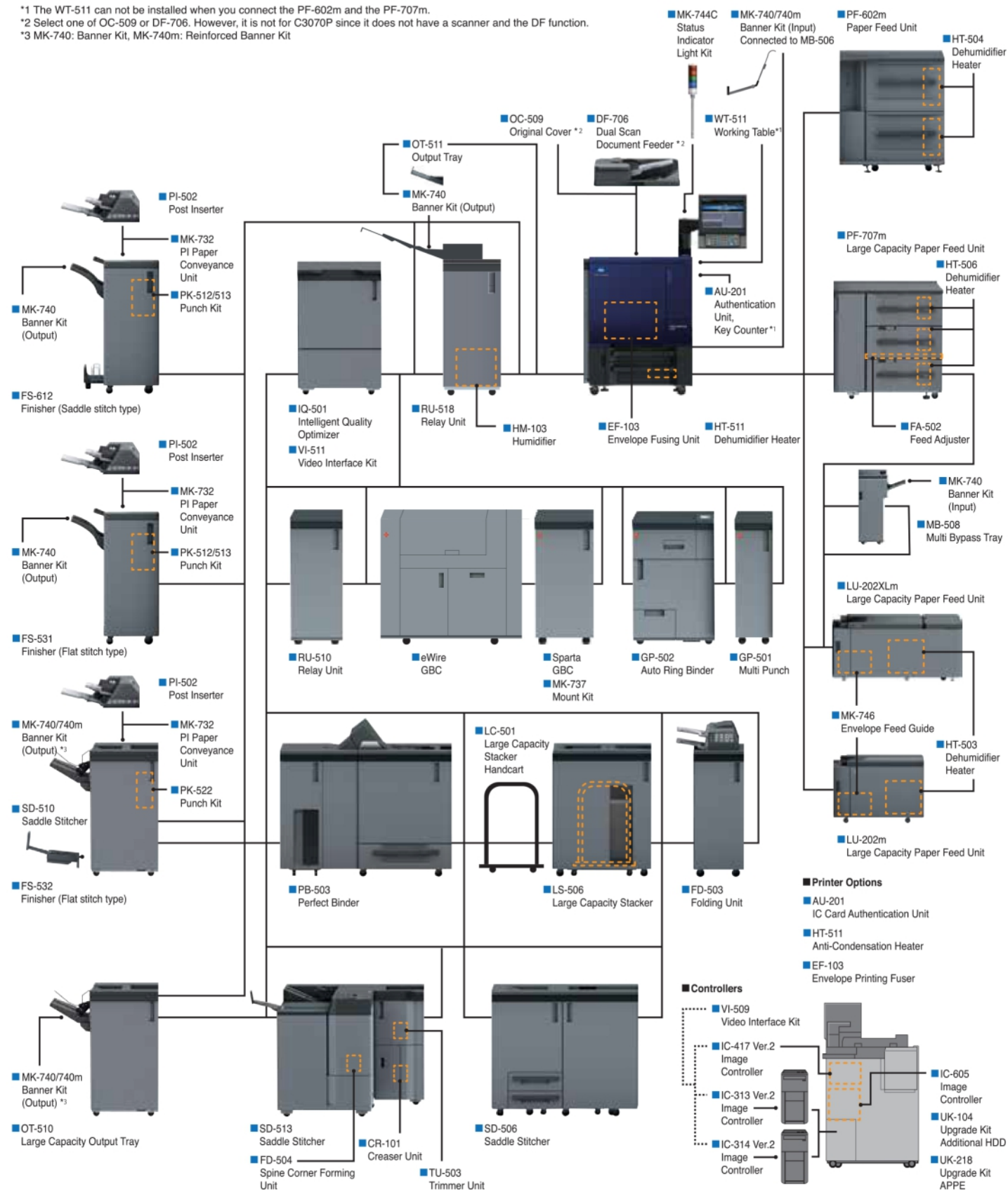


AccurioPress C3070/C3070P

Spec Sheet

System

*1 The WT-511 can not be installed when you connect the PF-602m and the PF-707m.
 *2 Select one of OC-509 or DF-706. However, it is not for C3070P since it does not have a scanner and the DF function.
 *3 MK-740: Banner Kit, MK-740m: Reinforced Banner Kit



Giving Shape to Ideas

Specifications - Options

The compatible paper size and paper weights of options are depend on printer specifications.

Paper Feeder Unit PF-707m

Paper Size	SRA3, A3, B4, A4, B5, A5, 13x19, 12x18, 11x17, 9x11, 8 1/2x14, 8 1/2x11
Paper Type	Plain, Fine, Colour, Coated, Envelope*
Paper Weight	62 gsm to 350 gsm
Max. Tray Capacity (80 gsm)	Upper & Middle Tray: 1,390 sheets each Bottom Tray: 1,850 sheets Total: 4,630 sheets
Power Source	Inch : 120VAC, Metric : 230VAC
Dimensions [W] x [D] x [H]	996 mm x 772 mm x 1,038 mm / 39.21" x 30.39" x 40.87"
Weight	203 kg / 447.4 lb

*1 For the paper whose width is less than 140 mm, use the small size guide. *2 Only upper tray supports envelopes.

Paper Feeder Unit PF-602m

Paper Size	SRA3, A3, B4, A4, B5, A5, 13x19, 12x18, 11x17, 9x11, 8 1/2x14, 8 1/2x11
Paper Type	Plain, Fine, Coated paper
Paper Weight	Upper Tray: 62 gsm to 256 gsm Lower Tray: 62 gsm to 300 gsm
Max. Tray Capacity (80 gsm)	Tray (upper): Max. 330 mm x 487 mm, Min. 100 mm x 182 mm Tray (lower): Max. 330 mm x 487 mm, Min. 100 mm x 148 mm
Power Source	Supplied both from the main body
Power Consumption	DC: 90W or less, AC: 100W or less
Dimensions [W] x [D] x [H]	947 mm x 750 mm x 1,045 mm / 37.28" x 29.53" x 41.14"
Weight	Approximately 171 kg / 374.8 lb

Multi-bypass Tray MB-508

Paper Size	Max. 330 mm x 487 mm (-1,300 mm with MK-740), Min. 100 mm x 148 mm
Paper Weight	148 mm - 487.7 mm: 128 gsm to 256 gsm 487.8 mm - 1,300 mm: 250 sheets (80 gsm)
Tray Capacity	250 sheets (80 gsm)
Power Source	Supplied from PFU
Power Consumption	Max. 200W or less
Dimensions [W] x [D] x [H]	296 mm x 636 mm x 787 mm / 19.09" x 25.03" x 30.98" (Max. dimensions of the whole unit)
Weight	Approximately 31.5 kg / 69.4 lb

Large Capacity Unit LU-202m/LU-202XLm

Paper Size	SRA3, A3, B4, A4, B5, 13x19, 12x18, 11x17, 9x11, 8 1/2x14, 8 1/2x11
Paper Type	LU-202m: Max. 330 mm x 487 mm, Min. 210 mm x 182 mm LU-202XLm: Max. 330 mm x 762 mm, Min. 210 mm x 182 mm
Paper Weight	Plain, Fine, Coated paper
Paper Capacity (80 gsm)	LU-202m: 2,500 sheets* LU-202XLm: 2,500 sheets
Power Source	Supplied both from the main body
Power Consumption	Max. 40W or less (excluding HT-503)
Dimensions [W] x [D] x [H]	LU-202m: 710 mm x 639 mm x 477 mm / 27.95" x 25.16" x 18.78" LU-202XLm: 1,012 mm x 639 mm x 477 mm / 39.84" x 25.16" x 18.78"
Weight	LU-202m: Approximately 42 kg / 92.59 lb LU-202XLm: Approximately 60 kg / 132.28 lb

*1 Available types of paper weighing 300 gsm are limited to specific types. *2 Stacked height 275 mm

Banner Kit MK-740/MK-740m

Applicable models	MB-506, MB-508
Feeding system	MK-740: OT-502/OT-510/OT-511/FS-612/FS531/FS-532 MK-740m: OT-510/FS-532
Output system	MK-740: Max. 330 mm x 1,300 mm Min. Width 100mm
Paper Size	Plain, Fine, Coated paper
Paper Weight	128 to 256 gsm
Paper Type	(A4 Plain paper) MK-740: 4,200 sheets, MK-740m: 3,000 sheets
Paper Capacity (80gsm)	(Banner -762 mm) MK-740: 300 sheets, MK-740m: 1,000 sheets (Banner 763 mm-) MK-740: 100 sheets, MK-740m: 100 sheets

Feed Adjuster FA-502

Applicable models	PF-707m
Paper Size	Max. 330.2 mm x 487.7 mm, Min. 139.7 mm x 139.7 mm
Paper Weight	52 gsm to 350 gsm / 14 lb to 93 lb
Paper Type	Plain, Fine, Colour Specific, Coated, Tab paper
Power Source	Supplied from the paper feed unit (PF-707m).
Power Consumption	Max. 96 W or less
Dimensions [W] x [D] x [H]	200 mm x 690 mm x 235 mm / 7.87" x 27.17" x 9.25"
Weight	Bypass Unit: Approximately 8 kg / 17.64 lb Drive Unit: Approximately 1 kg / 2.2 lb

* When connecting multiple paper feed units after PF-707m, FA-502 must be connected.

Envelope Fuser Unit EF-103

Envelope Weight	70 gsm to 100 gsm
Envelope Size	Paper length in the main scan direction: 100 mm to 245 mm Paper length in the sub scan direction: 148 mm to 375 mm
Power Source	Supplied from the main body.
Power Consumption	2,430 W or less
Dimensions [W] x [D] x [H]	200 mm x 690 mm x 235 mm / 7.87" x 27.17" x 9.25"
Weight	Approximately 18.8 kg / 41.45 lb

* When the paper length is less than 139.7 mm, paper feed assist parts must be connected.

Dual Scan Document Feeder DF-706

Paper Type	Normal original mode: Simplex original mode: 35 gsm to 210 gsm Duplex original mode: 50 gsm to 128 gsm Mixed original mode: Simplex original mode: Duplex original mode: 50 gsm to 128 gsm
Paper Size	A3, B4, A4, B5, A5, B6S, 11x17, 8 1/2x11
Capacity	300 sheets (80 gsm)
Scan Speed (A4)	At copying (600dpi): Full colour: Simplex 75 ppm / Duplex 150 ppm (A4 horizontal) Black and White: Simplex 80 ppm / Duplex 160 ppm (A4 horizontal) At scanning (300dpi): Full colour/Black and White: Simplex 120 ppm / Duplex 240 ppm (A4 horizontal)
Power Source	Supplied from the machine
Dimensions [W] x [D] x [H]	618 mm x 575 mm x 180 mm / 24.31" x 22.63" x 7.06"
Weight	Approximately 15.1 kg / 33.31 lb

Intelligent Quality Optimizer IQ-501

Option Required	Image Processing Board VI-511
Paper Size	Max. 311 mm x 488 mm, Min. 95 mm x 139 mm
Paper Weight	62 - 350 gsm
Paper Width	Max. 350 mm
Power Source	100 - 240 VAC, 50/60 Hz
Power Consumption	Max. 700W (including Connection Option)
Dimensions [W] x [D] x [H]	663 mm x 696 mm x 1,020 mm / 26.10" x 27.40" x 40.16"
Weight	Approximately 184 kg / 405.65 lb

Relay Unit RU-518

Sub-Option	Humidifier HM-103
Paper Size	Max. 330.2 mm x 487.7 mm, Min. 95 mm x 133 mm Max. 1,300 mm (Straight/Sub tray)
Paper Weight	62 gsm to 350 gsm
Power Source	Supplied from the main body
Power Consumption	Max. 700W
Dimensions [W] x [D] x [H]	410 mm x 787.2 mm x 1,135 mm / 16.14" x 30.99" x 44.69"
Weight	Approximately 80 kg / 176.37 lb

*For Humidifier ON mode, Envelope, Coated, Pre-printed, Blank Insert Sheet, Embossed and Embossed 2 with the weight under 135 gsm or less cannot be used.

Multi Folding Unit FD-503

Hole Pitch	Metric area: 80 mm (2 holes / 4 holes) Inch area: 70 mm (2 holes), 108 mm (3 holes)
Fold Types	Centre-fold, Three fold-in, Three fold-out, Double parallel, Z-fold, Gatefold
Paper Size	Hole Punch: 2 holes: SRA3, A3, B4, A4, B5, 12x18, 11x17, 8 1/2x14, 8 1/2x11 3/4 holes: SRA3, A3, B4, A4, B5, 12x18, 11x17, 8 1/2x11
Paper Weight	Folding mode: Max. 305 mm x 458 mm, Min. 210 mm x 279 mm Post insertion mode: Max. 331 mm x 483 mm, Min. 182 mm x 139 mm Straight mode: Max. 330 mm x 483 mm, Min. 182 mm x 148 mm Punch: 62 gsm to 216 gsm
Power Source	100VAC to 240VAC, 5VDC (supplied from the main body)
Power Consumption	Max. 180W
Dimensions [W] x [D] x [H]	400 mm x 723 mm x 1,231 mm / 15.34" x 28.12" x 48.12"
Weight	Approximately 130 kg / 285.12 lb

*1 Width including the primary (main) tray (with the edge closed): 667 mm
*2 Width including the primary (main) tray (with the edge pulled out): 784 mm

Large Capacity Stacker LS-506

Sub-Option	Stacker Hand Cart LC-501
Paper Size	Stacker tray mode: Max. 331 mm x 488 mm, Min. 210 mm x 148 mm Sub tray mode: Max. 330 mm x 488 mm, Min. 95 mm x 139 mm
Paper Weight	Stacker tray mode: 62 gsm to 350 gsm Sub tray mode: 62 gsm to 350 gsm
Paper Capacity (80 gsm)	Stacker tray mode: Max. 5,000 sheets Sub tray mode: 200 sheets (Z-Fold: 20 sheets, Centre-Fold: 40 sheets)
Power Source	100VAC to 240VAC, 5VDC (Only 5VDC is supplied from the main body)
Power Consumption	Max. 150W or less
Dimensions [W] x [D] x [H]	785 mm x 723 mm x 1,020 mm / 31" x 28.12" x 40.16"
Weight	Approximately 110 kg / 242.12 lb

Perfect Binder PB-503

Paper Size	Body: Max. 307 mm x 221 mm, Min. 139 mm x 210 mm Cover: Max. 307 mm x 472 mm, Min. 139 mm x 279 mm
Paper Weight	Body: 64 gsm to 105 gsm Cover: 81 gsm to 216 gsm
Bound Pages (80 gsm)	Approximately 300 sheets max. (less than 30 mm thickness) / Approximately 10 sheets min.
Warm-up Time	Approximately 20 min.
Power Source	100 - 240 VAC, 50/60 Hz
Power Consumption	Max. 1,000 W or less, 100VAC 50/60Hz common 5VDC (supplied from the main body)
Dimensions [W] x [D] x [H]	1,360 mm x 775 mm x 1,223 mm / 53.12" x 30.12" x 48.14"
Weight	Approximately 270 kg / 595.14 lb

Post Inserter PI-502

Required Option	Mount Kit MK-732
Paper Size	Upper Tray: A4, B5, A5, 9x11, 8 1/2x11 Lower Tray: SRA3, A3, B4, A4, B5, A5, 12x18, 11x17, 8 1/2x14, 8 1/2x11
Paper Capacity (80 gsm)	Max. 200 sheets
Power Source	Supplied from Finisher FS-532/FS-531/FS-612
Dimensions [W] x [D] x [H]	540 mm x 620 mm x 220 mm / 21.14" x 24.12" x 8.34"
Weight	Approximately 11.7 kg / 25.79 lb

Specifications - Options

The compatible paper size and paper weights of options are depend on printer specifications.

■ Saddle Stitcher SD-506

Paper Size (S: Short Edge Feed)	Saddle Stitch/Trimming Folding	SRA3, A3, B4, A4S, 12x18, 11x17, 8 1/2x14, 8 1/2x11S Max. 324 mm x 463 mm, Min. 182 mm x 257 mm Centre-Fold: SRA3, A3, B4, A4S, B5S, 12x18, 11x17, 8 1/2x14, 8 1/2x11 Max. 324 mm x 463 mm, Min. 182 mm x 257 mm Three Fold-in: A4S, 8 1/2x11S
Paper Weight	Straight (Sub Tray)	Max. 330 mm x 483 mm, Min. 100 mm x 148 mm Saddle Stitch / Trimming: 62 gsm to 244 gsm Centre-Fold: 62 gsm to 244 gsm Three Fold-in: 62 gsm to 91 gsm Straight (Sub Tray): 62 gsm to 300 gsm ¹ Max. 50 sheets (62 gsm to 81 gsm) 50 sheets (80 gsm)
Stitching Capacity		Centre-Fold, Three Fold-in
Trimming Capacity		Centre-Fold: 30 sets Three Fold-in: 20 sets
Fold Type		Supplied from the main unit
Folding Capacity		100VAC to 240VAC, 5VDC (supplied from the main body)
Power Source		When the stack output tray closed: 1,170 mm x 775 mm x 1,020 mm / 46" x 30-1/2" x 40-1/4"
Max. Power Consumption		280 kg / 617-1/4 lb
Dimensions [W] x [D] x [H]		
Weight		

¹ Loading paper weight 49 gsm or less is not warranty.



■ Punch Kit PK-512/513

Hole Pitch	PK-512	80 mm (2 holes / 4 holes), 108 mm (3 holes)
	PK-513	21 mm, 70 mm, 21 mm (Swedish 4 holes)
Paper Weight		62 gsm to 128 gsm
Paper Size	PK-512	2 holes: A3, B4, A4, B5, 11x17, 8 1/2x14, 8 1/2x11 3/4 holes: A3, B4, A4, B5, 11x17, 8 1/2x11 A3, B4, A4, B5
	PK-513	
Power Source		Supplied from the main body.
Max. Power Consumption		40W or less
Dimensions [W] x [D] x [H]		130 mm x 470 mm x 115 mm / 5.12" x 18.5" x 4.53"
Weight		Approximately 3 kg / 6.61 lb

■ Multi Punch GP-501 *Available in limited area

Paper Size	Bypass Mode	Max. 330 mm x 488 mm, Min. 95 mm x 139 mm
	Punch Mode	A4
Paper Weight	Bypass Mode	64 - 350 gsm
	Punch Mode	75 - 216 gsm (Plain paper)
Power Source		230V, 50Hz
Dimensions [W] x [D] x [H]		305 mm x 775 mm x 1,020 mm / 12.01" x 30.51" x 40.16"
Weight		Approximately 80 kg / 176.37 lb

■ Auto Ring Binder GP-502 *Available in limited area

Paper Size	Bypass Mode	Max. 331 mm x 488 mm, Min. 95 mm x 133 mm
	Punch Mode	A4
Paper Weight	Bypass Mode	64 - 350 gsm
	Punch Mode	75 - 216 gsm (Cover: 163 - 216 gsm)
Power Source		24VDC, 2.5A
Dimensions [W] x [D] x [H]		655 mm x 775 mm x 1,020 mm / 25.79" x 30.51" x 40.16"
Weight		Approximately 183 kg / 403.45 lb

■ Finisher FS-531

Paper Weight	Non-sort, Sort/Group, Sub Tray mode	62 gsm to 350 gsm
	Staple mode	62 gsm to 209 gsm
Paper Size (S: Short Edge Feed)	Non-sort, Sort/Group mode	Max. 320 mm x 458 mm, Min. 182 mm x 148 mm, 128 mm x 148 mm ¹
	Staple mode	Max. 314 mm x 458 mm, Min. 182 mm x 148 mm
	Sub Tray mode	Max. 330 mm x 487 mm, Min. 100 mm x 148 mm
Paper Capacity (Main Tray, 80 gsm)	Non-sort, Sort/Group mode	Max. 3,000 sheets (A4, B5, 8 1/2x11, 16K, 7 1/4x10 1/2)
	Staple mode	-2 to 9 sheets: 100 sets (FD Direction: 417 mm or less) / 50sets (Other) -10 to 20 sheets: 50 sets -21 to 30 sheets: 30 sets -31 to 40 sheets: 25 sets -41 to 50 sheets: 20 sets
Paper Capacity (Sub Tray, 80 gsm)		Max. 100 sheets
Stapling Mode Types	Corner stapling	Parallel or diagonal depending on paper size
Staple Position	2 staplings	Center spreading 162 mm pitch
Power Source		24V/5VDC (supplied from the main body)
Max. Power Consumption		80W or less
Dimensions [W] x [D] x [H]		424 mm ² x 656 mm x 990 mm / 16.69 ² x 25.83 ² x 39"
		Width including the primary (main) tray (with the edge closed): 674.5 mm / 26.56"
		Width including the primary (main) tray (with the edge pulled out): 790.5 mm / 31.12"
Weight		60 kg / 132-1/4 lb

¹ Non-sort mode only ² Excluding the primary (main) tray



■ Finisher FS-612

Paper Weight	Non-sort, Sort/Group, Sub Tray mode	62 gsm to 350 gsm
	Staple, Saddle Stitching, Half-Fold, Tri-Folding mode	62 gsm to 105 gsm
Paper Size (S: Short Edge Feed)	Non-sort, Sort/Group mode	Max. 320 mm x 458 mm, Min. 182 mm x 148 mm, 128 mm x 148 mm ¹
	Staple mode	Max. 314 mm x 458 mm, Min. 182 mm x 148 mm
	Saddle stitching, Half-Fold mode	Max. 320 mm x 458 mm, Min. 210 mm x 279 mm
	Tri-Folding mode	A4S, 8 1/2x11S
Paper Capacity (Main Tray, 80 gsm)	Sub Tray mode	Max. 330 mm x 487 mm, Min. 100 mm x 148 mm
	Staple mode	Max. 2,500 sheets (A4, B5, 8 1/2x11, 16K, 7 1/4x10 1/2, 9x11)
	Staple mode	-2 to 9 sheets: 100 sets (FD Direction: 417 mm or less) / 50sets (Other) -10 to 20 sheets: 50 sets -21 to 30 sheets: 30 sets -31 to 40 sheets: 25 sets -41 to 50 sheets: 20 sets
Paper Capacity (Booklet Tray, 80 gsm)	Saddle stitching mode	5 sheets: 15 sets (Direction: 299 mm or less) / 20 sets (Other)
	Half-Fold mode	3 sheets: 25 sets (Direction: 299 mm or less) / 33 sets (Other)
	Tri-Folding mode	60 sets
Paper Capacity (Sub Tray, 80 gsm)		Max. 100 sheets
Power Source		24V/5VDC (supplied from the main body)
Max. Power Consumption		80W or less
Dimensions [W] x [D] x [H]		424 mm ² x 656 mm x 990 mm / 16.69 ² x 25.83 ² x 39"
		Width including the primary (main) tray (with the edge closed): 674.5 mm / 26.56"
		Width including the primary (main) tray (with the edge pulled out): 790.5 mm / 31.12"
Weight		65 kg / 143-1/4 lb

¹ Non-sort mode only ² Excluding the primary (main) tray



■ Finisher FS-532

Paper Weight	Staple mode: 62 gsm to 300 gsm Straight / Shift mode: 62 gsm to 350 gsm
Paper Size	Staple mode Straight/Shift mode
Paper Capacity (80 gsm)	Max. 330 mm x 488 mm, Min. 203 mm x 148 mm Max. 330 mm x 487 mm, Min. 100 mm x 148 mm (Using small size guides)
Stapling Mode Types	Max. 4,500 sheets (Main + Sub tray) Corner stapling: Horizontal, Vertical 2-point stapling: Centre
Power Source	Supplied from the machine
Max. Power Consumption	144W or less
Dimensions [W] x [D] x [H]	544 mm x 723 mm x 1,070 mm / 21-1/2" x 28-1/2" x 42-1/4"
Weight	74 kg / 163-1/4 lb



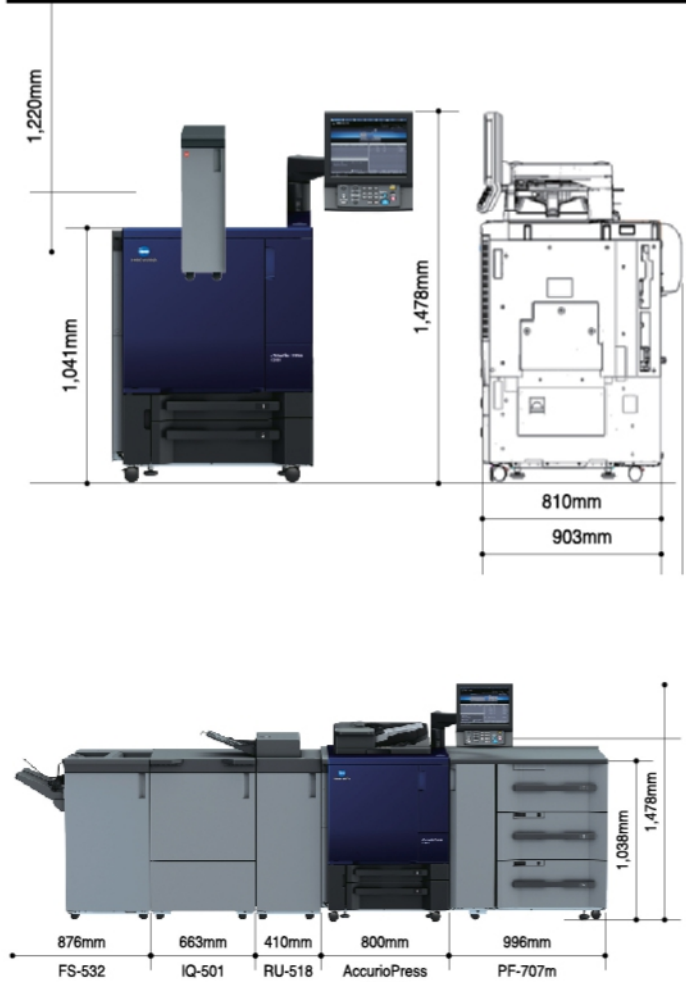
■ Large Capacity Output Tray OT-510

Paper Weight	62 gsm to 350 gsm
Paper Size	Max. 330 mm x 487 mm, Min. 100 mm x 148 mm Max. 330.2 mm x 1,200 mm, Min. 100 mm x 148 mm ¹
Paper Capacity (sort / group mode)	Max. 4,200 sheets (80 gsm, 0.03109 m ² to 0.06237 m ²) Max. 300 sheets ² (128 gsm to 135 gsm) Max. 100 sheets (128 gsm to 135 gsm)
	Envelope 100 sheets or more
Paper Capacity (offset sort / offset group mode)	Max. 1,500 sheets (72 gsm to 81 gsm, 0.03109 m ² or more)
Power Source	24VDC (supplied from the main body)
Max. Power Consumption	144W or less
Dimensions [W] x [D] x [H]	544 mm x 723 mm x 1,070 mm / 21" x 28-1/2" x 42"
Weight	Approximately 55 kg / 121 lb

¹ Paper of 489 mm length is available only when the MK-740 plate is installed. ² MK-740



Dimension



AccurioPress C3070/C3070P General Specifications

Model Name	AccurioPress C3070	AccurioPress C3070P
Type	Console type	
Colour Support	Full colour	
Resolution	Scan: 600 dpi x 600 dpi	NA
	Print: 3,600 (Equivalent) x 1,200 dpi	
Gradation	8-bit / 256 gradation	
CPU	Core i5 4570S 2.9 GHz	
Memory	10 GB	4 GB
HDD	1 TB x 3	
Original Type	Sheet, Book, Solid object	
Max. Original Size	A3 or 11x17	
Max. Printing Area	323 mm x 480 mm (Banner paper: 323 mm x 1,295 mm)	
Paper Size	Standard: SRA3, A3, B4, SRA4, A4, B5, A5, A5S, 13x19, 12x18, 11x17, 9x11, 8 1/2x14, 8 1/2x11, 5 1/2x8 1/2S, Tab paper (A4, 8 1/2x11) Max. 330 mm x 487 mm, Min. 140 mm x 182 mm ^{*1} Multi-bypass (Option): SRA3, SRA4, A3, B4, A4, B5, A5, B5S, 13x19, 12x18, 11x17, 8 1/2x11, Postcard Max. 330 mm x 487 mm Min. 100 mm x 148 mm Banner Printing Mode: Length 488 to 1,300 mm	
Image Loss	Max. 4.0 mm or less for top edge, Max. 4.5 mm or less for bottom edge, Max. 3.0 mm or less for right / left edges	
Warm-up Time	390 seconds or less (at room temp 20°C, rated power supply)	
First copy	Black & White	4.2 seconds or less
Out Time ^{*2}	Full Colour	6.9 seconds or less
Continuous Print Speed	71/81 pages/min. (A4 landscape)	71/81 pages/min. (A4 landscape)
Full Colour/Black & White ^{*3}	39/45 pages/min. (A3)	39/45 pages/min. (A3)
Copy	Fixed Same Magnification	1: 1±0.5% or less
Magnification	Scaling Up	1: 1.154/1.224/1.414/2.000
	Scaling Down	1: 0.866/0.816/0.707/0.500
	Presets	3 types
	Zoom	25 to 400% (in 0.1% increments)
Tray Capacity	Standard: 1,500 sheets (80 gsm) Option: Multi-bypass, 250 sheets (80 gsm)	
Paper Weight	62 gsm to 350 gsm (Coated paper: 81 gsm to 350 gsm) Main Unit: 62 gsm to 216 gsm PF-707m, MB-506: 62 gsm to 350 gsm MB-508, PF-602m, LU-202 XLm, LU-202m: 62 gsm to 300 gsm	
Continuous Print Count	Up to 9,999 sheets	
Auto Duplex	SRA3, SRA4, A3, B4, A4, B5, A5, B6S, A6S, 13x19, 12x18, 11x17, 9x11, 8 1/2x14, 8 1/2x11, 5 1/2x8 1/2S, Postcard Max. 330 mm x 487 mm, Min. 100 mm x 148 mm Paper Weight: 62 gsm to 350 gsm	
Paper Output Capacity	150 sheets (with an optional Output Tray OT-511)	
Power Source	Inch : AC208 to 240V, 24A, 60 Hz Metric : AC220 to 240V, 25A (EU)/20A (AU), 50 Hz / 60 Hz	
Power Consumption	6000w for EU market (main unit)	
Peak Volume ^{**} /Month (A4)	758K	
Average Volume ^{**} /Month (A4)	32.5K	
Dimensions (W x D x H)	800 mm x 903 mm x 1,076 mm (Main body + Original Cover)	
Space Requirements	631 mm or more in the front (for sliding out ADU unit), 200 mm or more from the rear duct, 100 mm or more on the both sides	
Weight	Approx. 316 kg	

^{*1}: To be fed from Tray-2. ^{*2}: When A4 landscape original is scanned on the platen (zoom 100%, Tray-1) ^{*3}: Print speed may vary depending on paper type.

^{*4}: QualityZone

Controller	IC-605A (C3070/C3080) / IC-605B (C3070P)	IC-313 ver.2.1	IC-417 ver.2.1	IC-314 ver.2.0
Type		Server	Built-in main unit	Server
Manufactured by	KM	EFI	EFI	Creo
CPU	Intel Core i5 4570S 2.9GHz		Intel Core i5 4570S 2.9GHz	Intel Pentium G4400 3.3GHz
Memory	10GB (Std. Main Body) + 4GB (IC-605A) + 4GB (UK-104): Max 18GB	4GB (Std. Main Body) + 8GB (IC-605B) + 4GB (UK-104): Max 16GB	4GB	12GB
HDD	Max:3.5TB 1TBx3 (IC-605A, std. of the main body) +500 GB(UK-104)	Max:3.5TB 1TBx3 (IC-605B) +500 GB(UK-104)	1TB	500GB
System	Linux		Windows 10	Linux
PDL language	PostScript3 (CPSI3020); PDF Ver. 1.7; TIFF Ver.6 compliant; PPML Ver. 2.2; PCL5c compatible; PCL XL (PCL6 Ver.3) compatible; APPE Ver.4.2; PDF/VT Ver.2		PostScript3 (CPSI3020); PDF Ver.1.7; PPML Ver.3.0; APPE Ver.4.4; PCL (5,6) emulation	PS3(CPSI3020); PDF Ver.1.7;PCL (5,6) emulation
Supported protocol	TCP/IP, NetBEUI, IPP, WSD, SMB, Bonjour		TCP/IP, SNMP, IPP, FTP, SMB, Bonjour, LPR	TCP/IP, SMB, Bonjour, LPR
Compatible OS	Windows 7, 8.1, 10; Windows Server 2008 (R2), 2012 (R2), 2016 (incl. 64bit version); MacOSX 10.9-10.13		Windows 7, 8.1, 10; Windows Server 2008R2, 2012/R2, 2016; MacOSX 10.9-10.13	Windows 7, 8.1, 10; Windows Server 2008R2, 2012/R2, 2016; MacOSX 10.9-10.13
Driver	PS Plugin, PPD		PostScript3	PostScript3

Product appearance, configuration and/ or specifications are subject to change without notice. Only C3070P supports IC-605B