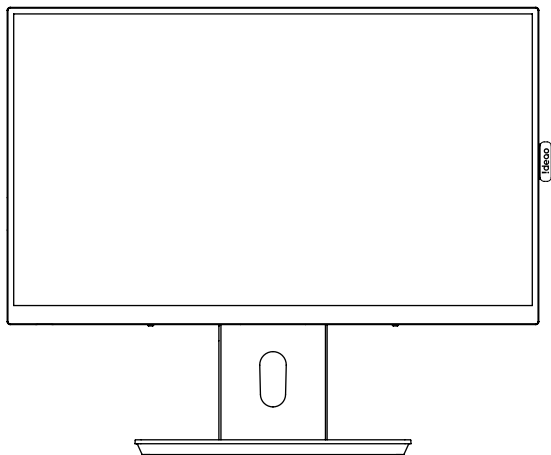


!deao hub

Interactive Touch Screen



Quick Start Guide

Important Safety, Compliance and Warranty Information

Read Manual Before Product Use



POWER SUPPLY WARNING!

The power supply is for indoor use only. Only use the power supply included with your product. Do not attempt to repair or use a damaged power supply. Do not immerse the power supply in water or subject it to physical abuse. Inspect the power supply regularly for cable, plug, and casing damage.

BATTERY WARNING!

Improperly replaced batteries may present a risk of leak or explosion and personal injury. Mistreated rechargeable batteries may present a risk of fire or chemical burn. Do not disassemble or expose to conducting materials, moisture, liquid, or heat above 54° C (130° F). Do not use or charge the battery if it appears to be leaking, discolored, deformed, or in any way abnormal. Do not leave your battery discharged or unused for extended periods. Do not short circuit. Your device may contain an internal, rechargeable battery that is not replaceable. Battery life varies with usage. Non-operational batteries should be discarded according to local laws. If no laws or regulations govern, dispose of your device in a waste bin for electronics. Keep batteries away from children.



Visit FTI website to download multi-language quick start guide
<https://funtechinnovation.com/downloads/>

Safe Usage Guidelines for Products

- Do not open or modify the product except for battery removal and replacement.
- Do not disassemble or attempt to service this product.
- This product is safe under normal and reasonably foreseeable misuse operating conditions.
- If product is operating improperly, contact the authorized reseller.
- Product must be returned to the authorized reseller for any service or repair.
- This is not a Children's Product and is not intended for use by children under 14 years old.

FunTech Innovation Compliance.

For Product Safety, EMC, RF and Energy information, go to www.funtechinnovation.com/compliance Maintenance is not required for product compliance.

This product complies with relevant legal requirements for Restriction of Hazardous Substances (RoHS) and management of waste electronic and electrical equipment (WEEE). For RoHS and WEEE information, go to www.funtechinnovation.com/compliance



Batteries, electronic and electrical equipment should not be disposed of with household waste. Wherever possible, they should be segregated and brought to an appropriate collection point to enable recycling and avoid potential impacts on the environment and human health. For more information, contact your local authorities or place of purchase.



FCC Statement

This device complies with Part 15 of the FCC Rules. Operation is subject to the following two conditions: 1) this device may not cause harmful interference, and 2) this device must accept any interference received, including interference that may cause undesired operation. This equipment has been tested and found to comply with the limits for a Class B digital device, pursuant to part 15 of the FCC Rules. These limits are designed to provide reasonable protection against harmful interference in a residential installation. This equipment generates, uses and can radiate radio frequency energy. And, if not installed and used in accordance with the instructions, may cause harmful interference to radio communications. However, there is no guarantee that interference will not occur in a particular installation. If this equipment does cause harmful interference to radio or television reception, which can be determined by turning the equipment off and on, the user is encouraged to try to correct the interference by one or more of the following measures:

- Reorient or relocate the receiving antenna.
- Increase the separation between the equipment and receiver.
- Connect the equipment into an outlet on a circuit different from that to which the receiver is connected.
- Consult the dealer or an experienced radio/TV technician for help.

Warning: Where shielded interface cables or accessories have been provided with the product or specified additional components or accessories elsewhere defined to be used with the installation of the product, they must be used in order to ensure compliance with FCC. Changes or modifications to product not expressly approved by Fun Technology Innovation Inc, could void your right to use or operate your product by the FCC.

IC statement:

CAN ICES003 (B) / NMB003 Class (B)

This device complies with Industry Canada license exempt RSS standard(s) Operation is subject to the following two conditions:

(1) this device may not cause interference, and (2) this device must accept any interference, including interference that may cause undesired operation of the device. Cordless (Radio Transmitter) products: Section A. RSS310 (27 MHz transmitters and receivers): This Category II radio communication device complies with Industry Canada Standard RSS310. Section B. RSS210 (2.4 GHz transmitters or transceivers): This Category I radio communication device complies with RSS210 of Industry Canada.

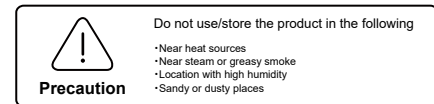
FunTech Innovation's Limited Hardware Product Warranty - A Summary

FunTech Innovation warrants that its hardware product shall be free from defects in materials and workmanship for the length of time identified on your product package beginning from the date of original retail purchase. See for specific warranty information about your product and procedures to act on a warranty claim.

FunTech Innovation's entire liability and your exclusive remedy for any breach of warranty shall be, at FunTech Innovation's option, to repair or replace a functional equivalent of the product, or to refund the price paid, if the hardware is returned to the point of purchase or such other place as FunTech Innovation may direct along with a receipt. Warranty protections are in addition to rights provided under local consumer laws and may vary among countries. See the full warranty information to know your consumer rights and the additional protections provided by this product warranty.







VCCI-B









この装置は、クラスB情報技術装置です。この装置は、家庭環境で使用することを目的としていますが、この装置がラジオやテレビジョン受信機に近接して使用されると、受信障害を引き起こすことがあります。取扱説明書に従って正しい取り扱いをしてください。



Safety Instruction

For your safety, please read the following instruction before you use the product. Serious injury or property damage may be caused by improper operations. Do not try to repair the product on your own.

 WARNING	
	<p>Disconnect the product from power supply immediately if major failures occur. Major failures include the following:</p> <ul style="list-style-type: none"> ● Smoke, peculiar smell or abnormal sound is discharged from the product. ● No image or sound is displayed, or the image error occurs. <p>In the preceding scenarios, do not continue to use the product. Disconnect power supply immediately and contact professional staff for troubleshooting.</p>
	<p>Do not drop liquid, metal or anything combustible into the product.</p> <ul style="list-style-type: none"> ● If any liquid or metal is dropped into the product, power off the product and disconnect power supply, then contact professional staff for solutions. ● Pay attention to children when they are close to the product. <p>Put the product on a stable surface. An unstable surface includes and does not limited to an inclined plane, a shaky stand, desk or platform, which might cause turnover and damage.</p>
	<p>Do not open the cover or change the product on your own. High voltage components are installed in the product. When you open the cover, high voltage, electric shock, or other dangerous situations may occur. If inspection, adjustment, or maintenance is required, contact the local distributor for help.</p>
	<p>Use the specified power supply.</p> <ul style="list-style-type: none"> ● To prevent the product from being damaged, do not use any types of power cables other than the one provided with the product. ● Use a three-wire socket and ensure that it is properly grounded. ● Pull out the power plug from the socket if the product is not used for a long period. <p>Clean the dust and metal on the power plug regularly.</p> <ul style="list-style-type: none"> ● Fire or electric shock may be caused if the product is powered on, when you are cleaning. ● Pull out the power plug before cleaning it with a dried cloth. <p>Power output port is 5V/1A for USB Type-A 3.0 port, 5V/0.5A for USB Type-A 2.0, 5V/3A, 9V/3A, 12V/3A, 15V/3A, 20V/3.25A for USB Type-C.</p>
	<p>Do not put items on the top of the product.</p> <ul style="list-style-type: none"> ● Do not put items, such as a container for liquid (a vase, flowerpot, cosmetics or liquid medicine) on the top of the product. ● If any water or liquid is spilled on the product, a short circuit may occur and cause fire or electric shock. ● Do not walk on the product.

 WARNING	
	<p>Do not install the product in an improper place.</p> <ul style="list-style-type: none"> ● Do not install the product in humid places, such as the bathroom, the shower room, near windows, or outdoor environments that experience rain, snow or other harsh weather. Avoid installation near hot spring vapor. The preceding environments may cause faults in the product or electric shock under extreme conditions. ● Do not put exposed fire source, such as an ignited candle, on the product.
	<p>Pull out the power plug during thunderstorms.</p> <ul style="list-style-type: none"> ● Do not touch the product during a lightning storm to avoid electric shock. ● Install or place components that supply high enough voltage to cause personal injury out of the reach of children.
	<p>Do not touch the power cable with wet hands.</p>
	<p>Do not install the product in high temperature environments.</p> <ul style="list-style-type: none"> ● Do not install the product near a heat source, such as a radiator, a heat reservoir, a stove or other heating products. ● Do not expose the product to direct sunlight, which may cause high temperatures and subsequent faults in the product.
	<p>For transport.</p> <ul style="list-style-type: none"> ● Pack the product for transport or maintenance by using the cartons and cushioning material provided with the product. ● Vertically move the product during transport. The screen or other components are easily broken if the product is moved by an improper way. ● Before you move the product, disconnect all external connections and separate all toppling preventing products. Move the product carefully to prevent it from being hit or squeezed, especially the screen, which may cause injury if broken.
	<p>Do not cover or block up any vents on the product.</p> <ul style="list-style-type: none"> ● Any overheated components may cause fire, damage the product, and shorten the service life. ● Do not lay the product down where the venting surface will be covered. ● Do not install the product on a carpet or cloth. ● Do not use a cloth such as table cloth to cover the product.
	<p>Keep away from the product when you use a radio.</p> <p>The product complies with the international EMI standard to prevent radio interference. However, interference may still exist and causes noise in the radio. If noise occurs in the radio, try the following solutions.</p> <ul style="list-style-type: none"> ● Adjust the direction of the radio antenna to avoid the interference from the product. ● Keep the radio away from the product.

⚠ WARNING

Glass lens is broken or falls off.

- In case of glass lens breakage, keep all personnel away from the hub to ensure safety.
- Do not perform any installation or disassembly when the glass lens is broken or falls off.

Use the battery correctly.

- Galvanic corrosion, electric leakage, and even fire may be caused by improper battery usage.
- It is recommended to use the designated type of battery and install the battery by correct electrodes (positive and negative).
- Do not install and use new battery with a used one.
- Do not expose the battery to overheated environments such as sunlight and firing.
- Dispose of the used battery based on your local regulations.

Do not damage the power cable.

- Do not damage, change, twist, bend, or forcibly drag the power cable.
- Do not put weights (such as the product itself) on the power cable.
- Do not forcibly drag the cable when you pull out the power plug. If the power cable is damaged, please contact the local distributor to repair or replace it.
- The power cable in the accessory box is for this product only. Do not use it on other products.

Additional advice:

- Use the product in an environment with comfortable lighting. It is harmful to your eyes to watch in a too bright or too dark environment.
- Relax your eyes after a period of time for watching.
- Keep sufficient distance from the product to protect your eyes and prevent eyestrain.
- Adjust the volume to an appropriate level, especially at night.
- Use amplifier equipment as the audio input source with caution. If you must use amplifier equipment, the input power should not exceed the maximum of speaker power. Otherwise, the speaker can become overpowered and damaged.

About USB ports.

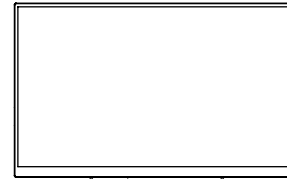
A side USB 3.0 port and rear USB 2.0 ports switch connections based on signal sources. (USB Type C or other signal connection + USB Type B). Please do not change signal sources while the signal source is reading the data from the external source connected to the Hub's USB port. Otherwise, the data or the external memory may get damaged.



Ideao Hub is a versatile 24" QHD interactive touch monitor to revolutionize the way you collaborate. With a simply plug of a cable, you can easily transform your PC to a giant touch screen, take notes on your document with full Windows Ink compatibility, extend connectivity with 10 I/O ports, and enjoy the smoothest touch and write experience with Ideao Hub.

Unleash your creativity!

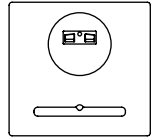
Package contents



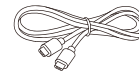
Monitor



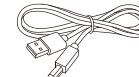
Stand Neck



Stand Base



USB Cable
(Type-C to Type-C)



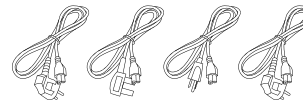
USB Cable
(USB 3.0 A to B)



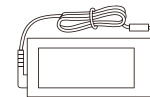
Neck Screws x4
Screwdriver x1



Pen Holder



Power Cables



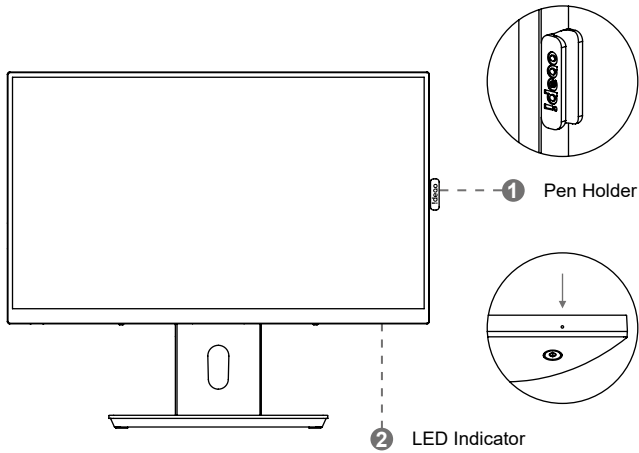
AC/DC Adapter



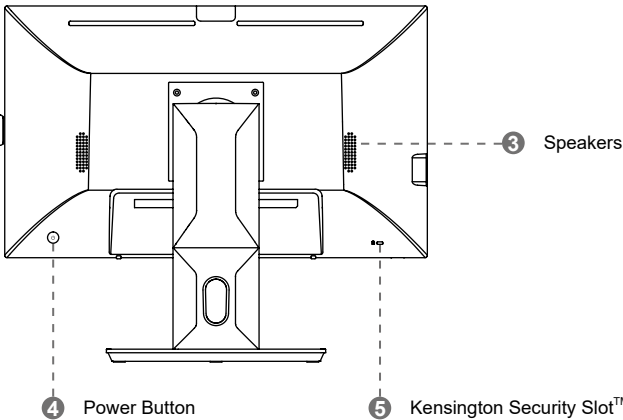
Quick Start Guide

For any product /warranty related question please visit www.funtechnovation.com/support

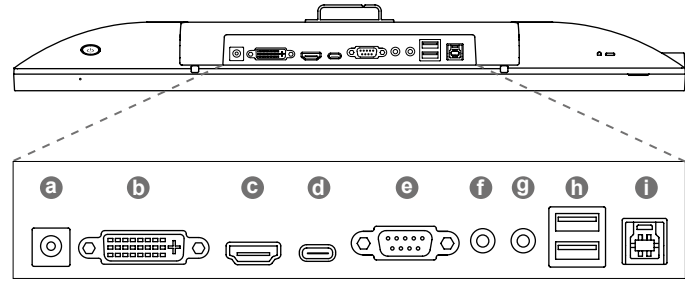
Overview



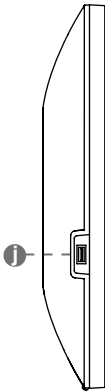
No light = Power off
 Red light = Stand by / Sleep mode
 Blue light = Power on



6 I/O Ports



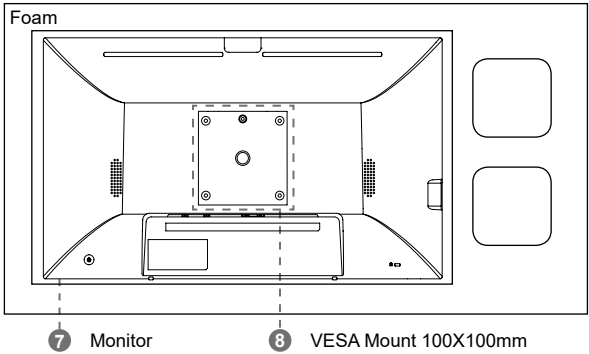
a	DC IN	Connects to the power adapter.
b	DVI-D	Connects to a source device using a DVI-D cable.
c	HDMI	Connects to a source device using a HDMI cable.
d	USB Type C	Connects to a source device using a USB Type-C cable for video, audio, touch, and power supply.
e	VGA (D-SUB)	Connects to a video source device using a VGA cable.
f	AUDIO IN	Connects to an audio input device, used with VGA device.
g	AUDIO OUT	Connects to an audio output device such as headphones.
h	USB-A 2.0	Connect to a USB device, such as memory drive, mouse, keyboard, and speakerphone.
i	USB-B	Connects to a PC to use the touch function.
j	USB-A 3.0	Connect to a USB device, such as memory drive, mouse, keyboard, and speakerphone.



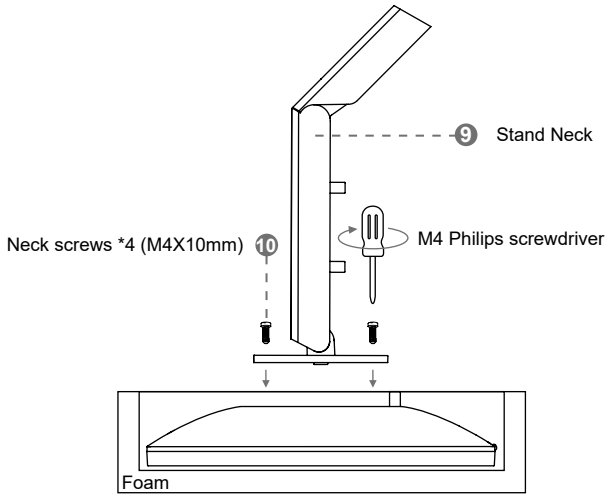
Installing the Stand

1.

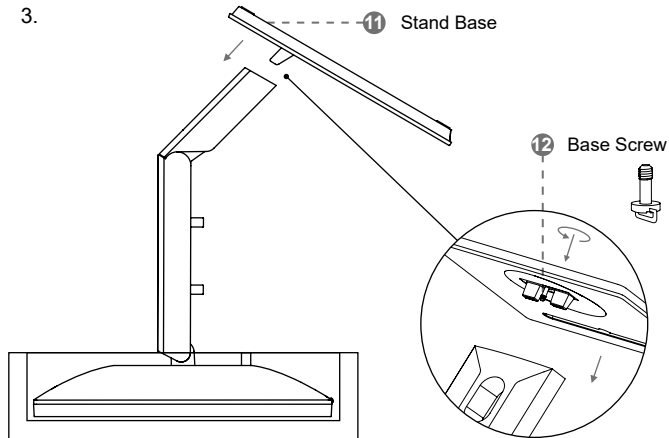
⚠ Place the monitor on the foam to protect its surface.



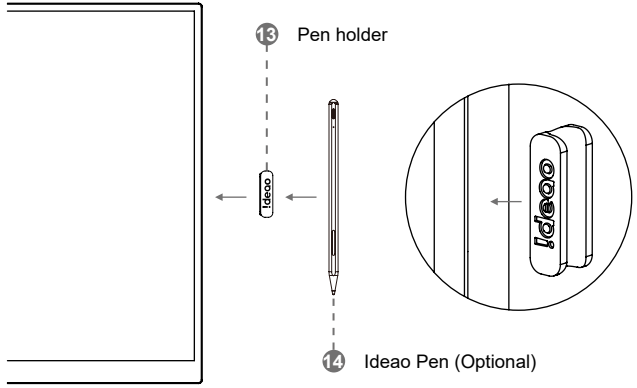
2.



3.





4.



Connecting the Ideao Hub

Plug the power supply into the power outlet fully and plug the power connector into the side of the product. Ensure the power is in the range of 100V to 240V with frequency at 50Hz/60Hz \pm 5%.

 The power current must be grounded.
Do not remove the ground prong / grounded contact.

 For Japanese version, only the Type B power code is included in the box. This power cord support up to 100V and can be used in Japan only. For other countries, please use the corresponding power cord.



Type F
Grounded contact



Type G
Ground prong



Type B
Ground prong



Type I
Grounded prong



Type M
Ground prong



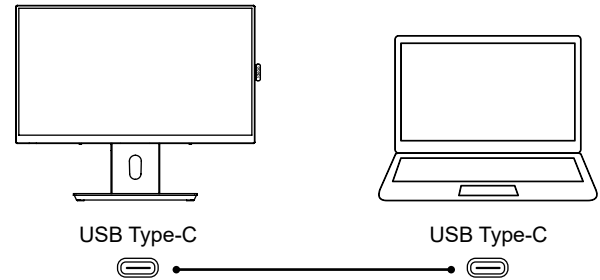
Type O
Ground prong


Connecting to a PC or Laptop

Connect your PC or laptop to the Ideao Hub using a USB Type-C, HDMI/DVI, or VGA cable. Connecting ports may differ in different products.

Connecting the devices using a USB Type-C cable

- (1) USB Type-C port with video, audio touch and power
(Alternate mode with DisplayPort 1.2, Power Delivery up to 65 W)

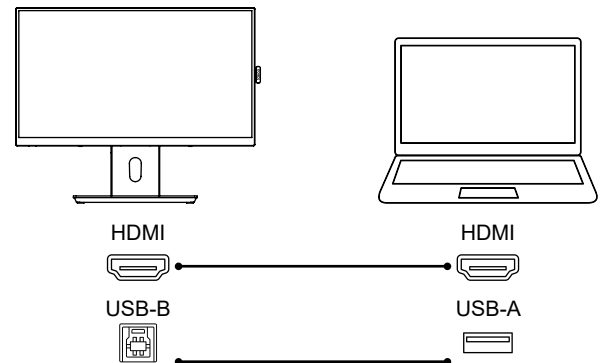


 Please ensure your computer USB Type-C end supports DP Alt-mode, in order to display properly. For more information, please check table in P.18.

Connecting the devices using a HDMI cable

- (1) Connect your PC or Laptop to the Ideao Hub using a HDMI Cable.
- (2) To use the touch function, connect USB Type-B on the Ideao Hub to a USB-A port on the PC or laptop using the USB cable.

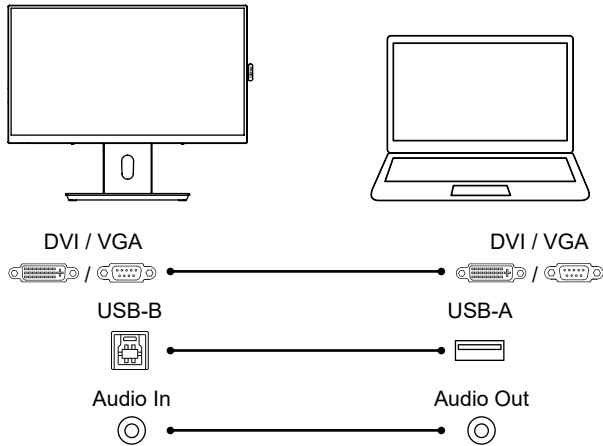
*HDMI cable is not included in the package.



Connecting the devices using a DVI or VGA cable

- (1) Connect your PC or Laptop to the Ideao Hub using a DVI or VGA Cable for video source.
- (2) Connect Audio In on the Ideao Hub to an Audio Out on the PC or laptop using an audio cable for audio source.
- (3) To use the touch function, connect USB Type-B on the Ideao Hub to a USB-A port on the PC or laptop using the USB cable.

*DVI, VGA, and Audio cables are not included in the package.



	Video Source	Audio Source	USB Signal for Touch Back	Power
USB Type-C	O	O	O	O
HDMI	O	O	X Via USB-B	X
DVI / VGA	O	X Via Audio Cable	X Via USB-B	X

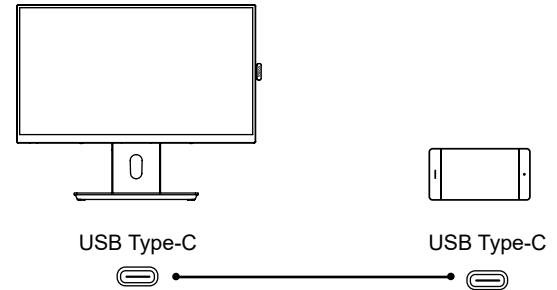
Connecting to a Smartphone

Connect your smartphone using a USB-C cable.

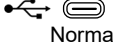

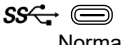

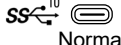




*USB-C supports power supply.

*Available for Android smartphones that support USB Type-C DisplayPort Alt Mode.

*Touch back may vary depending on model.

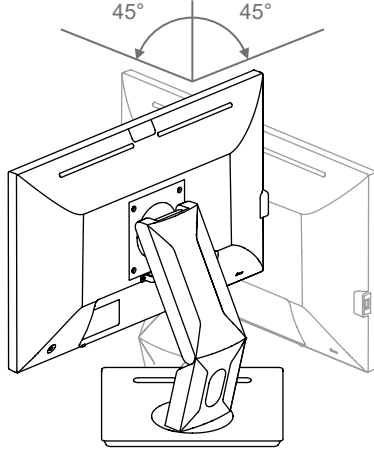


USB Type-C specification table

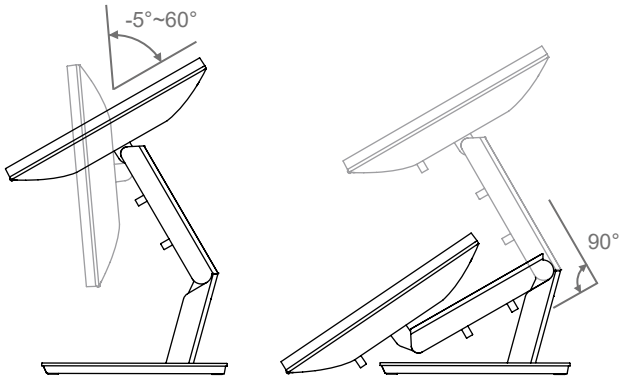
USB-C Connector		Data Transfer	Display	Power
USB 2.0 480 Mbps	 Normal	O	X	X
	 PD Enabled	O	X	O
USB 3.1 Gen 1 5 Gbps	 Normal	O	X	X
	 PD Enabled	O	X	O
USB 3.1 Gen 2 10 Gbps	 Normal	O	X	X
	 PD Enabled	O	X	O
DisplayPort 5-10 Gbps	 Normal	O	O	X
	 PD Enabled	O	O	O
Thunderbolt 20-40 Gbps PD Enabled DisplayPort		O	O	O

Adjusting the Stand

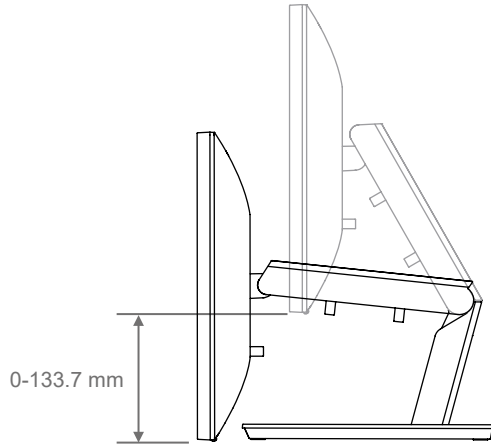
Swivel



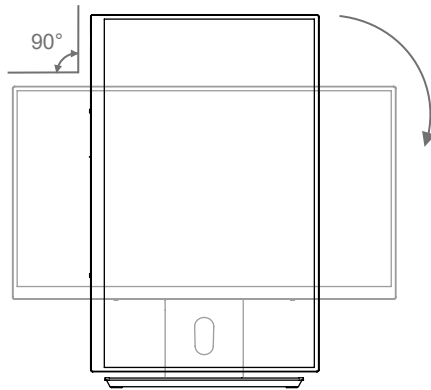
Lift & Tilt



Height

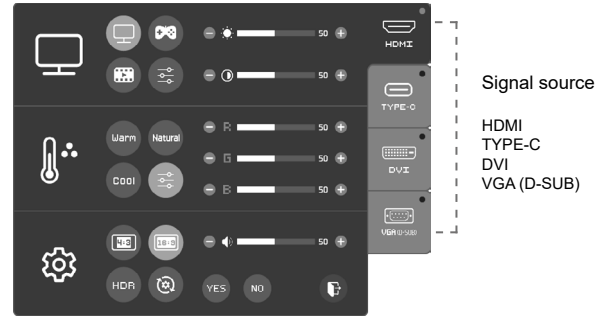
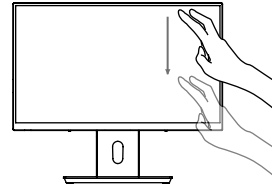


Flip



Adjusting On-Screen Display (OSD)

Swipe down from the top right edge with two fingers to show OSD settings.



 Brightness	Standard	Game	Brightness
	Movie	Custom	Contrast
 Color Temp	Warm	Natural	Red Green Blue
	Cool	Custom	
 Setting	4:3 mode	16:9 mode	Volume
	HDR	Reset	Exit

Specifications

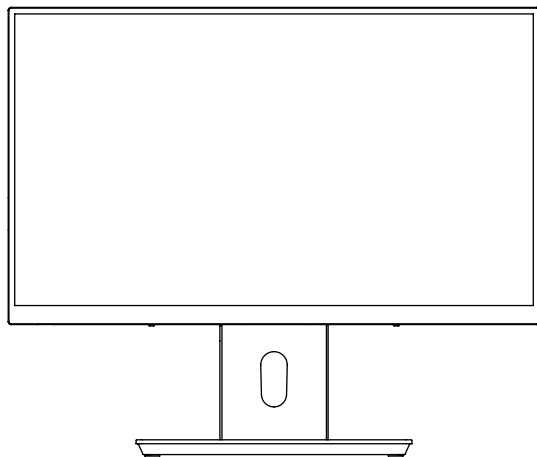
Display	
Screen Size	24"
Resolution & Refresh Rate	2560x1440 @ 60Hz, 75Hz (optional) 1920x1080 @ 60Hz, 75Hz 1680x1050 @ 60Hz 1600x900 @ 60Hz 1440x900 @ 60Hz 1366x768 @ 60Hz 1280x1024 @ 60Hz 1280x720 @ 60Hz 1024x768 @ 60Hz 800x600 @ 60Hz 640x480 @ 60Hz
Display Area	527x296 mm
Display Ratio	16:9
Brightness	Typ. 350 cd/m ²
Color Depth	8-bit
Contrast Ration	1000:1
Response Time	Typ. 14ms
Refresh Rate	75Hz
Panel Surface	Optical Bonding, 7H
Panel Type	E-Lite LCD, AHVA
Life Time	30,000 Hrs
NTSC	Typ. 88%
Color Gamut	Wide Color Gamut
Touch	
Touch Technology	Projected-Capacitive Touch
Touch Type	Pen With Palm Rejection / Finger
Writing Tools	Active Pen (Supports MPP 2.0, 4096 Pressure Points)
Response Time	Touch Down < 35 ms; Panning Latency < 30 ms; Pen Down <35 ms

Multi-Touch Points Support	10 points
HID Support (No Driver Required)	Yes
Touch Response time	8 ms
Positioning Accuracy	±1 mm
Communication Interface	USB-B, USB-C
Speaker	
Speaker Position	Backward
Speaker Max. Power Output	2 x 3W
Ports	
Inputs	USB Type C x1(PD 65W supported) HDMI 2.0 x1 DVI x1 VGA (D-SUB) x1 USB-A 2.0 x2 USB-A 3.0 x1 Audio-In (Jack 3.5 mm) x1 DC-In x1
Outputs	USB B 3.0 x1 Audio-Out (Jack 3.5 mm) x1
Power	
Voltage Required	AC 100-240V (50/60 Hz) *Japanese version is for 100V only
Consumption (Typical)	28 W
Consumption (Max)	35 W
Stand-by	0.5 W
Transportation/Storage	
Storage Temperature	-10°C ~ +55°C
Working Temperature	0°C ~ +40°C
Storage Humidity	10% ~ 80%
Working Humidity	20% ~ 80%

Stand	Tilt (Forward/Back) 5° / 60° Vertical Rotation: 90° Swivel: -45° / 45° Height: 0 - 133.7 mm
VESA Mount	100x100 mm
Dimension	540 x 456 x 266 mm (with Stand) 540 x 322 x 56 mm (monitor only)
Package Size	785 x 195 x 400 mm (with stand) 625 x 145 x 405 mm (monitor only)
Net Weight	8.5 kg (with stand) 4.0 kg (monitor only)
Others	
Button	Power
Kensington Lock	Yes
Package Content	Idea Hub Power Cable Adapter USB-C 3.0 Cable (1M) USB-B to A 3.0 (1.5M) Stand

!deao hub

インタラクティブ タッチモニター



クイックスタートガイド
(日本語版)

Trouble Shooting

Please visit funtechinnovation.com/faq/



安全やコンプライアンスおよび 製品保証に関する重要なお知らせ

* 製品のご使用前に必ずお読みください



電源に関する警告

本製品は室内での使用専用となっております。必ず付属の電源をご使用ください。電源を自分で修理したり、傷つけないでください。電源を水につけたり、物理的ダメージを与えないでください。定期的にケーブルやプラグ、電源部分の点検を行なってください。

電池に関する警告

バッテリーを不適切に交換すると、液漏れや爆発、人身事故の危険があります。充電式バッテリーの取り扱いを誤ると、火災や化学火傷の危険があります。分解したり、導電性材料、湿気、液体、または54°Cを超える熱にさらしたりしないでください。バッテリーが漏れている、変色している、変形している、または何らかの形で異常であると思われる場合は、バッテリーを使用または充電しないでください。バッテリーを放電したり、長期間使用したりショートさせたりしないでください。お使いの機器には、交換できない充電式バッテリーが内蔵されている場合があります。電池の寿命は使用方法によって異なります。動作していないバッテリーは、地域の法令に従って廃棄する必要があります。法令が適用されない場合は、デバイスを電子機器専用の廃棄場所に捨ててください。電池は子供の手の届かない場所に保管してください。



QRコードまたは下記の URL よりマルチ言語の
クイックスタートガイドがダウンロード可能です。
<https://funtechinnovation.com/downloads/>

製品を安全に使用するためのガイドライン

- 電池の交換以外の目的で本製品や付属品を開けたり改造したりしないでください。
- この製品を自身で分解したり修理しないでください。
- 本製品に異常が見られる際には、使用を中止して認定されたサービス担当者にご連絡ください。
- 本製品は通常の使用上、安全にご使用いただける設計となっております。
- 本製品は子供向けの製品ではなく、14歳以下の子供が使用するのに適しておりません。

FunTech Innovation コンプライアンスに関して

製品の安全性、EMC、RF、およびエネルギーに関する情報については、www.funtechinnovation.com/compliance にアクセスしてください。製品のコンプライアンスにメンテナンスは必要ありません。

この製品は、有害物質の制限 (RoHS) および廃電子電気機器 (WEEE) の管理に関する関連する法的要件に準拠しています。RoHS および WEEE 情報については、www.funtechinnovation.com/compliance にアクセスしてください。



右側のシンボルは本製品を家庭ごみとして廃棄してはならないことを示します。本製品を製品寿命などで廃棄する時には、リサイクルに関する法律や条例に従ってください。電気機器や電子機器を廃棄する際は、自治体が指定した場所と方法に基づきリサイクルしてください。



FCC Statement

This device complies with Part 15 of the FCC Rules. Operation is subject to the following two conditions: 1) this device may not cause harmful interference, and 2) this device must accept any interference received, including interference that may cause undesired operation. This equipment has been tested and found to comply with the limits for a Class B digital device, pursuant to part 15 of the FCC Rules. These limits are designed to provide reasonable protection against harmful interference in a residential installation. This equipment generates, uses and can radiate radio frequency energy. And, if not installed and used in accordance with the instructions, may cause harmful interference to radio communications. However, there is no guarantee that interference will not occur in a particular installation. If this equipment does cause harmful interference to radio or television reception, which can be determined by turning the equipment off and on, the user is encouraged to try to correct the interference by one or more of the following measures:

- Reorient or relocate the receiving antenna.
- Increase the separation between the equipment and receiver.
- Connect the equipment into an outlet on a circuit different from that to which the receiver is connected.
- Consult the dealer or an experienced radio/TV technician for help.

Warning: Where shielded interface cables or accessories have been provided with the product or specified additional components or accessories elsewhere defined to be used with the installation of the product, they must be used in order to ensure compliance with FCC. Changes or modifications to product not expressly approved by Fun Technology Innovation Inc, could void your right to use or operate your product by the FCC.

IC statement:

CAN ICES003 (B) / NMB003 Class (B)

This device complies with Industry Canada license exempt RSS standard(s) Operation is subject to the following two conditions:

(1) this device may not cause interference, and (2) this device must accept any interference, including interference that may cause undesired operation of the device. Cordless (Radio Transmitter) products: Section A. RSS310 (27 MHz transmitters and receivers): This Category II radio communication device complies with Industry Canada Standard RSS310. Section B. RSS210 (2.4 GHz transmitters or transceivers): This Category I radio communication device complies with RSS210 of Industry Canada.

FunTech Innovation における製品保証に関して

- 万一、正常な使用状態において製品のご購入から保証期間内に製品が故障した場合には、弊社による故障の原因等の確認完了後、修理 / 返品交換対応させていただきます。なお、修理にて交換された本体および部品に関しての所有権は弊社に帰属するものといたします。
- 修理 / 製品交換の有償 / 無償の判断につきましては、弊社または弊社指定の保守会社により行わせていただきます。
- 保証の対象になるのは製品本体部分のみであり、添付品や消耗品は保証対象より除外させていただきます。
- 本製品の故障または使用によって生じた損害については保証の範囲外となり、直接的、間接的問わず、弊社は一切の責任を負いかねますのでご了承ください。
- 一度ご購入いただいた製品は、弊社にて不良が確認されない限り、返品または交換はできません。対応機種間違いによる返品はできませんのであらかじめご了承ください。
- 保証期間内であってもご購入履歴が確認できない場合、保証書などに改ざんが見られる場合には保証対象外となります。
- お客様の故意または過失によって生じた故障および損傷は保証対象外となります。

VCCI-B

この装置は、クラス B 情報技術装置です。この装置は、家庭環境で使用することを目的としていますが、この装置がラジオやテレビジョン受信機に近接して使用されると、受信障害を引き起こすことがあります。取扱説明書に従って正しい取り扱いをしてください。









Precaution

Do not use/store the product in the following

- Near heat sources
- Near steam or greasy smoke
- Location with high humidity
- Sandy or dusty places

ご使用前に

製品を安全にご使用頂くために、ご使用前に下記のインストラクションをご確認ください。
誤った製品の使用方法は怪我、事故の元になります。感電を避けるためにむやみに分解しないでください。

 警告	
	<p>重大な症状が見られた際には必ず本製品の電源を抜いてください。重大な症状には下記が含まれます。</p> <ul style="list-style-type: none"> ● 発煙、焦げたような匂い、異音などが本製品から発生している。 ● 画面が映らない、音が出ない、画面にエラーが生じている。 <p>上記の症状が見られた場合には、製品の使用を直ちに中止し、ケーブルを抜いた後に、認定されたサービス担当者にコンタクトしてください。</p>
	<p>液体や金属、可燃物を本製品内部に入れないでください。</p> <ul style="list-style-type: none"> ● もし、液体や金属などが入ってしまった場合、直ちに電源を切り、ケーブルを抜いた後に、認定されたサービス担当者にコンタクトしてください。 ● 製品の使用時に周りに小さな子供がいないか注意してください。 <p>製品を安定した平らな場所に設置してください。</p> <p>傾斜面、ぐらぐらしたスタンドや机の上など、不安定な場所への設置は製品が倒れるなどして、事故や故障の元となります。</p>
	<p>本製品を分解したり、改造したりしないでください。</p> <p>製品には高電圧部品が組み込まれています。感電の危険がありますので、本製品の検査やメンテナンスが必要な場合は、必ずサービス担当者にコンタクトしてください。</p>
	<p>本製品に付属している電源ケーブルをご使用ください。</p> <ul style="list-style-type: none"> ● 製品の破損や事故などを防ぐため、必ず製品に付属した電源ケーブルを使用してください。 ● 必ずアース接続を行ってください。 ● 長期間に渡り使用しない場合、本製品の電源を抜いてください。 <p>定期的に電源プラグをクリーニングしてください。</p> <ul style="list-style-type: none"> ● クリーニングの際には必ず電源を切って行ってください。 ● クリーニングの際には必ず本体の電源ケーブルを抜き、乾いた布でおこなってください。 <p>電源ポートからの出力はそれぞれ USB Type-A 3.0 ポートが 5V/1A、USB Type-A 2.0 ポートが 5V/0.5A、USB Type C ポートが 5V/3A、9V/3A、12V/3A、15V/3A、20V/3.25A となっています。</p>
	<p>本製品を高温の場所に設置しないでください。</p> <ul style="list-style-type: none"> ● ラジエーター、蓄熱体、ストーブ、その他の暖房器具など、熱源の近くに本製品を設置しないでください。 ● 直射日光が当たる場所へ本製品を設置しないでください。本製品が高温になり、故障の原因となります。 <p>● 本製品に水などの液体をこぼさないでください。火災や破損の原因となります。</p>

 警告	
	<p>本製品を不適切な場所に設置しないでください。</p> <ul style="list-style-type: none"> ● 浴室など高温多湿の場所、シャワールーム、また雨や雪、過酷な天候に晒される可能性のある窓際、室外などに設置しないでください。温泉などの蒸気が当たる場所に製品を設置しないでください。不適切な場所への設置は、極端な場合は感電や火事などの事故の元になります。 ● 火元の近くに本製品を設置しないでください。また、キャンドルなど火のついた物を製品の近くに置かないでください。
	<p>雷の際には本製品を電源から外してください。</p> <ul style="list-style-type: none"> ● 感電の原因になるため、雷が鳴っている時には本製品を触らないでください。 ● 怪我の原因になる高圧を伴う製品は、小さな子供が届かない場所に設置してください。
	<p>濡れた手で電源ケーブルを触らないでください。感電の原因となります。</p>
	<p>本製品を高温の場所に設置しないでください。</p> <ul style="list-style-type: none"> ● ラジエーター、蓄熱体、ストーブ、その他の暖房器具など、熱源の近くに本製品を設置しないでください。 ● 直射日光が当たる場所へ本製品を設置しないでください。本製品が高温になり、故障の原因となります。
	<p>輸送に際して：</p> <ul style="list-style-type: none"> ● 本製品の輸送の際には移動性やメンテナンス性を考慮し、本製品が入っていたカートン及び緩衝材をご使用ください。 ● 本製品を移動する際には必ず製品を垂直にして運んでください。誤った方向で運ぶと、タッチスクリーンやその他の部品の思わぬ故障の原因となります。 ● 輸送の際にはケーブル等の全ての接続などを外してから運び、移動の際には周囲に衝突したり、挟まらないよう気をつけてください。スクリーン部などは破損しやすく、破損の際にガラスなどが飛び散り怪我の原因となります。
	<p>本製品の通気部分を塞がないでください。</p> <ul style="list-style-type: none"> ● 本製品に使用している部品が高温になり、火事や故障、製品寿命の短命化の原因となります。 ● 通気部分を下向きに設置しないでください。 ● カーペットやベッドシートなどの上に製品を設置しないでください。 ● テーブルクロスなどの布で本製品を覆わないでください。
	<p>ラジオや強い電磁波の発生する製品の近くで使用しないでください。</p> <p>本製品は国際 EMI 規格に基づき防磁処理が施されていますが、それでも干渉が存在し、無線ノイズを発する場合があります。ノイズが発生した際には下記をお試しください。</p> <ul style="list-style-type: none"> ● 製品への干渉を防ぐため、無線のアンテナの方向を調整してください。 ● 本製品から無線を離してご使用ください。

警告

スクリーンのガラスが破損した場合

- 安全を確認するために、本体から距離を保ち近づかないようにしてください。
- ガラスが破損したり外れた場合、修理や分解を自分でおこなわないでください。

電池は正しくご使用ください。

- 誤った方法で電池を使用すると、液漏れ、腐食、火事などの原因となります。
- 必ず指定された種類の電池をご使用の上、正しい方向(極性)に入れてください。
- 新しい電池と古い電池を混ぜて使用しないでください。
- 長期間にわたり使用しない場合、電池をリモコンから取り外してください。
- 直射日光の当たる場所や日の近くなど、高熱の場所に電池を放置しないでください。
- 地方の条例等に従い電池を廃棄してください。

電源ケーブルにダメージを与えないでください。

- 電源ケーブルを傷つけたり、変更したり、ねじったり、曲げたり、過度な力で引っ張らないでください。
- 電源ケーブルに製品本体など重いものを載せないでください。
- 電源ケーブルを取り外す際に、過度な力で引っ張らないでください。もし、電源ケーブルにダメージがある場合には、製品の使用を直ちに中止して、コンセントからケーブルを抜いた後に、認定されたサービス担当者にコンタクトして修理または交換を依頼してください。
- 付属の電源ケーブルは本製品専用です。他の製品に使用しないでください。

ご使用の際に

- 目の保護のために明るい場所で本製品を使用してください。暗い場所や極端に明るい場所での使用は目を痛める恐れがあります。
- 長時間のご使用の後には目を休めてください。
- 画面を見る際には、目の保護のため十分な距離を空けてご使用ください。
- 特に夜間のご使用などには音量にご注意ください。
- 音声入力源として外部機器を使用する場合はご注意ください。外部機器の音声出力用としてご使用の際には、外部機器からの音声入力が入蔵スピーカーの最大出力を上回らないようにご注意ください。スピーカーの過負荷および故障などの原因となります。

USB ポートに関して

側面の USB3.0 ポートおよび背面の USB2.0 ポートは表示している信号源 (USB Type C または、その他信号源 + USB Type B) により接続が変わります。Hub の USB ポートに接続された外部メモリーなどを使用中の場合、使用を終了するまで信号元を変更しないでください。データや外部メモリーの破損の原因となります。

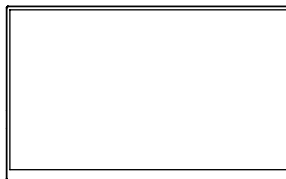


製品や製品保証に関する詳細は下記の URL でもご確認ください。
www.funtechinnovation.com/support

コラボレーションに革命をもたらす、多用途 24 インチ QHD 解像度インタラクティブタッチモニター Ideo Hub とケーブルで接続するだけで、パソコンがタッチスクリーンに早変わりし、Windows Ink を使ってドキュメントに注釈を入れたりすることができます。合計 10 個の I/O ポートで接続を拡張することができます。最もスムーズなタッチと書き込み体験を行うことができます。

クリエイティビティを解き放ってください!

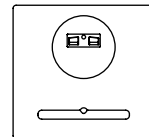
同梱物



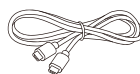
モニター本体



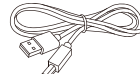
スタンドネック部



スタンドベース部



USB ケーブル (Type-C - Type-C)



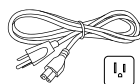
USB ケーブル (USB 3.0 A - B)



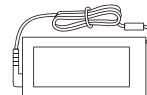
ネック取り付け用 ネジ x4



プラスドライバー



電源ケーブル



AC アダプター

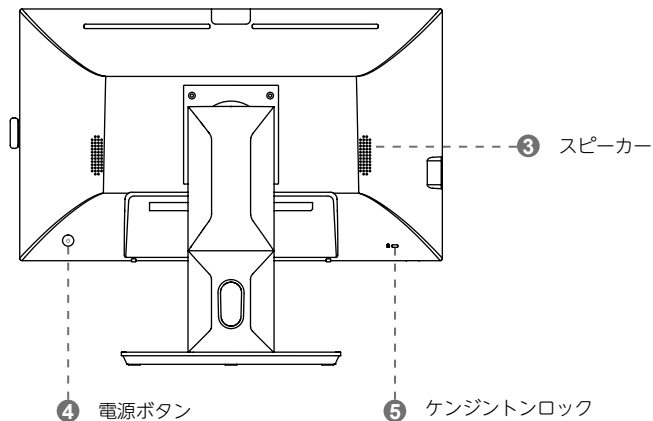
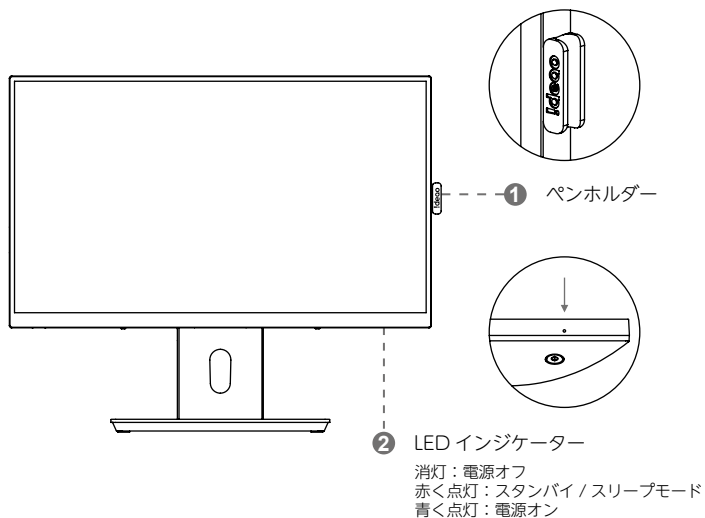


ペンホルダー

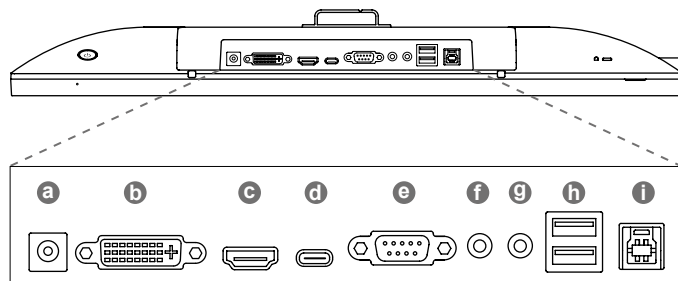


クイックスタートガイド (本書)

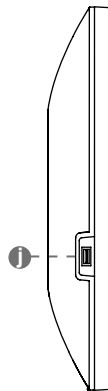
各部名称



6 I/O ポート



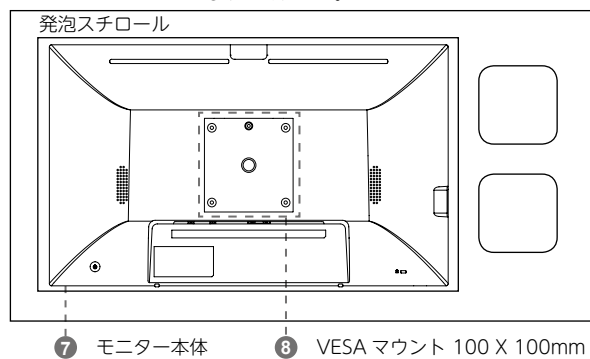
a	DC IN	AC アダプターを接続
b	DVI-D	DVI-D ケーブルを使用して画面投影する機器を接続
c	HDMI	HDMI ケーブルを使用して画面投影する機器を接続
d	USB Type C	USB Type C ケーブルを使用して機器を接続 (画面投影、音声、タッチ、電源供給、データ)
e	VGA (D-SUB)	VGA ケーブルを使用して画面投影する機器を接続
f	オーディオ入力	VGA ケーブルを使用して接続している機器のオーディオ入力用
g	オーディオ出力	ヘッドホンなどへのオーディオ出力用
h	USB-A 2.0	外部メモリー、マウス、キーボード、スピーカーフォン、Web カメラなどの接続用
i	USB-B	USB Type C 以外での接続時のタッチコントロールおよび USB ハブ機能使用のためにパソコンと接続
j	USB-A 3.0	外部メモリー、マウス、キーボード、スピーカーフォン、Web カメラなどの接続用



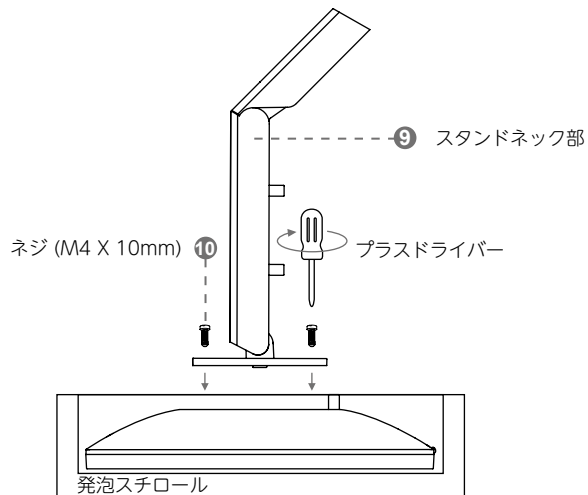
スタンドの取り付け

1.

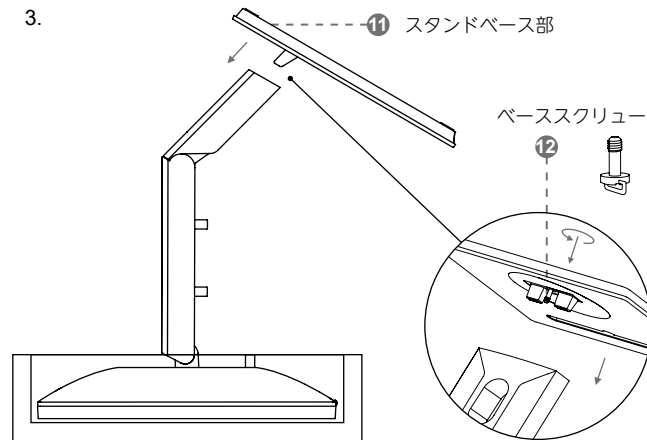
⚠ 表面の保護のため、発泡スチロールの上で作業をおこなってください。



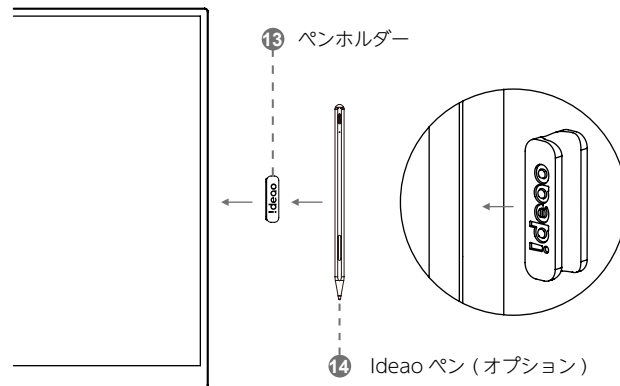
2.



3.



4.



Ideao Hub を接続する

コンセントの電圧が 100V から 240V で電源周波数帯が 50Hz/60Hz ± 5% であることをご確認ください。AC アダプターと電源ケーブルをしっかりと接続し、製品の DC IN に AC アダプターを接続、電源ケーブルをコンセントにしっかりと接続してください。

⚠ **必ずアース接続を行なってください。電源ケーブルのアースピンは折らないでください。**

⚠ **日本版にはタイプ B の電源ケーブルのみ付属しております。また、この電源ケーブルは日本国内での使用のみ対応しております。海外で本製品をご使用の際は、その地域の規格にあった電源ケーブルを別途お買い上げの上、正しく接続してご使用ください。**



タイプ F
アースピン



タイプ G
アースピン



タイプ B
アースピン



タイプ I
アースピン



タイプ M
アースピン



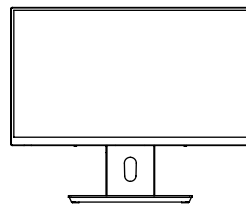
タイプ O
アースピン

パソコンに接続する

お使いのパソコンに応じて Ideao Hub を USB Type-C、HDMI、DVI、または VGA で接続することが可能です。

USB Type C ケーブル経由で接続する

(1) USB Type-C ケーブルのみの接続で映像入力、音声入力、タッチコントロール、電源供給 (DisplayPort 1.2 over Alt モード最大 65W)、USB Hub 機能へのアクセスを行うことができます。



USB Type-C



USB Type-C

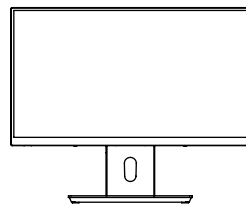


⚠ **パソコン搭載の USB Type-C ポートが DisplayPort Alt モードに対応していることをご確認ください。詳しくは 42 ページ目の機能表をご確認ください。**

HDMI ケーブル経由で接続する

(1) HDMI ケーブルを使用してパソコンと Ideao Hub を接続します。
(2) タッチコントロールや USB Hub 機能を使用する場合、付属の USB Type A-B ケーブルを使ってパソコンと Ideao Hub を接続します。

*HDMI ケーブルは製品に付属していません。



HDMI



USB-B



HDMI



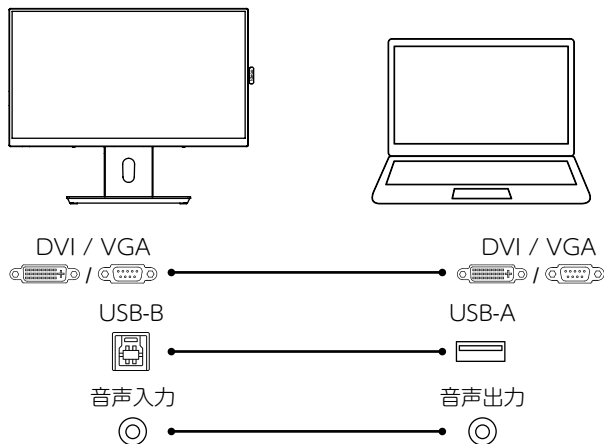
USB-A



DVI または VGA ケーブル経由で接続する

- (1) 映像用に DVI または VGA ケーブルを使用してパソコンと Ideao Hub を接続します。
- (2) タッチコントロールや USB Hub 機能を使用する場合、付属の USB Type A-B ケーブルを使ってパソコンと Ideao Hub を接続します。
- (3) 音声用にオーディオケーブルを Ideao Hub のオーディオ入力ポート、パソコンのオーディオ出力ポートにそれぞれ接続します。

*DVI・VGA・オーディオケーブルは本製品に付属していません。

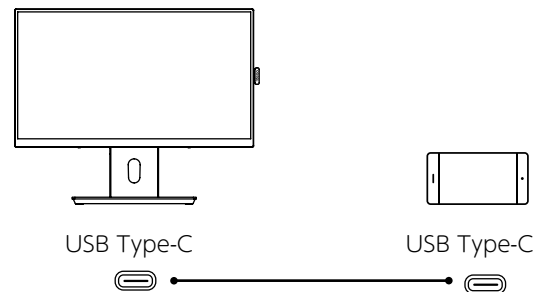


	映像	音声	タッチコントロール	電力供給
USB Type-C	○	○	○	○
HDMI	○	○	X USB ケーブル経由	X
DVI / VGA	○	X オーディオケーブル経由	X USB ケーブル経由	X

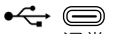

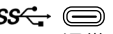

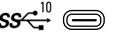




スマートフォンに接続する

USB Type C ケーブル経由で接続する

- * DisplayPort 1.2 over Alt モード USB Type C に対応したスマートフォンで利用可能です。
- * USB-C は電源供給にも対応しています。
- * タッチコントロールの可否はお使いのスマートフォンの機種により異なります。

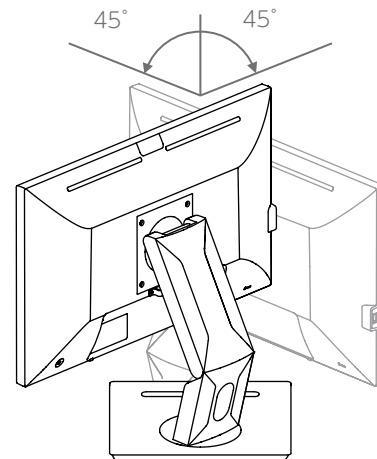


USB Type-C バージョン別機能表

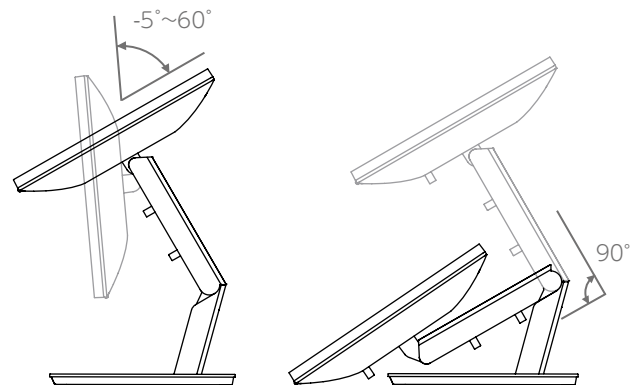
USB Type-C ポート		データ転送	映像	電力供給
USB 2.0 480 Mbps	 通常	○	X	X
	 USB PD 対応	○	X	○
USB 3.1 Gen 1 5 Gbps	 通常	○	X	X
	 USB PD 対応	○	X	○
USB 3.1 Gen 2 10 Gbps	 通常	○	X	X
	 USB PD 対応	○	X	○
DisplayPort 5-10 Gbps	 通常	○	○	X
	 USB PD 対応	○	○	○
Thunderbolt 20-40 Gbps USB PD 対応 DisplayPort (DP)		○	○	○

スタンドの調節

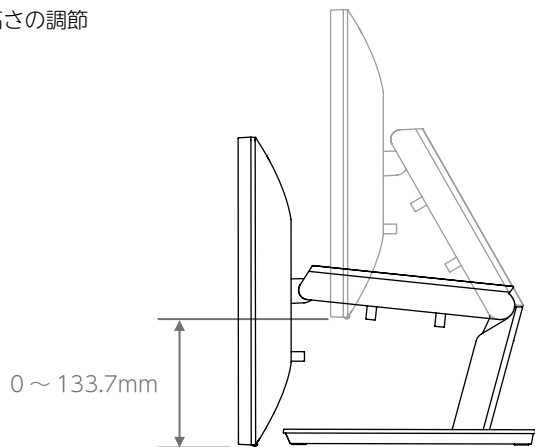
横向きの移動



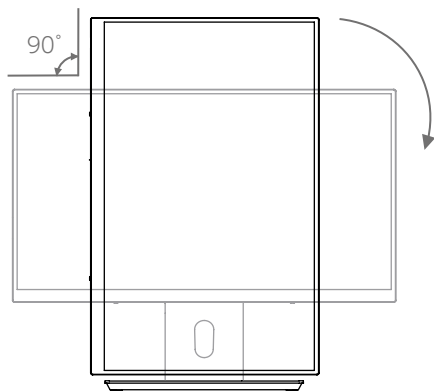
リフト&チルト



高さの調節

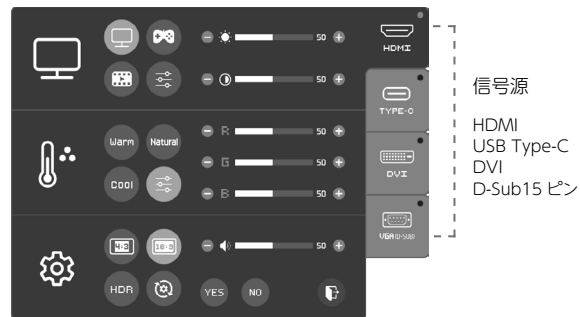
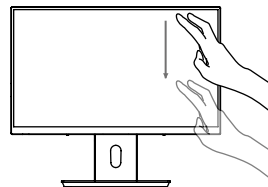


回転



設定変更 (OSD を使用した設定変更)

画面右上から2本の指で下にスワイプしてOSDを表示させます。



明るさ	スタンダード	ゲーム	明るさ
	ムービー	カスタム	コントラスト
色温度	Warm 暖色	Natural 標準	赤
	Cool 寒色	カスタム	緑
設定	4:3 モード	16:9 モード	青
	HDR HDR	リセット	音量
			終了

製品仕様

ディスプレイ部	
画面サイズ	24 インチ
画面解像度 / リフレッシュレート	2560x1440 @ 60Hz / 75Hz (オプション) 1920x1080 @ 60Hz / 75Hz 1680x1050 @ 60Hz 1600x900 @ 60Hz 1440x900 @ 60Hz 1366x768 @ 60Hz 1280x1024 @ 60Hz 1280x720 @ 60Hz 1024x768 @ 60Hz 800x600 @ 60Hz 640x480 @ 60Hz
表示領域	527 x 296mm
アスペクト比	16:9
輝度 (標準値)	350cd/m ²
表示色	8-bit 対応
コントラスト比	1000:1
応答速度 (標準値)	14ms
リフレッシュレート	75Hz
ガラス表面処理	オプティカルボンディング / 硬度 7H
パネルタイプ	E-Lite LCD / AHVA
寿命	30,000 時間
NTSC (標準値)	88%
色域	WCG (Wide Color Gamut)
タッチ部	
タッチテクノロジー	投影型静電容量方式
入力方式	指 / アクティブペン (パームリジェクション対応)
対応ペン	アクティブペン (MPP 2.0 対応 / 筆圧 4096 レベル)
タッチ応答速度	タッチダウン < 35ms パン待機時間 < 30ms ペンダウン < 35ms

マルチタッチ	10 ポイント
HID	対応 (ドライバ不要)
タッチ応答速度	8ms
タッチ制度	± 1mm
通信インターフェイス	USB-B / USB-C
スピーカー部	
スピーカー位置	背面
スピーカー出力	最大 2 x 3W
入出力ポート	
入力ポート	USB Type C x1 (PD 65W 対応) HDMI 2.0 x1 DVI x1 VGA (D-SUB) x1 USB-A 2.0 x2 USB-A 3.0 x1 オーディオ入力 (3.5mm) x1 DC-In x1
出力ポート	USB B 3.0 x1 オーディオ出力 (3.5mm) x1
電源部	
電源入力	AC100 ~ 240V (50/60 Hz) * 日本版は AC100V のみ
消費電力 (標準)	28W
消費電力 (最大)	35W
消費電力 (待機時)	0.5W
輸送 / 保管環境	
輸送温度	-10°C ~ 55°C
動作温度	0°C ~ 40°C
輸送湿度	10% ~ 80%
動作湿度	20% ~ 80%

スタンド	チルト (上下) : 60° / 5° 垂直回転 : 90° スウィーベル : -45° / 45° 高さ : 0 ~ 133.7mm
VESA マウント	100 x 100 mm
外径寸法	540 x 456 x 266mm (スタンド込み) 540 x 322 x 56mm (本体のみ)
パッケージ寸法	785 x 195 x 400mm (スタンド込み) 625 x 145 x 405mm (本体のみ)
質量	8.5kg (スタンド込み) 4.0kg (本体のみ)
その他	
ボタン	電源ボタン
ケンジントンロック	あり
同梱物	IdeaO Hub 本体 電源ケーブル AC アダプタ USB-C 3.0 ケーブル (1m) USB-B - A 3.0 ケーブル (1.5m) スタンド

トラブルシューティング

製品や製品保証に関する詳細は下記の URL でもご確認いただけます。
www.funtechinnovation.com/support



APEX CE SPECIALISTS LIMITED

89 PRINCESS STREET, MANCHESTER, M1 4HT, UK



APEX CE SPECIALISTS LIMITED

UNIT 3D NORTH POINT HOUSE, NORTH POINT BUSINESS PARK
 NEW MALLOW ROAD, CORK, T23 AT2P, IRELAND

FR

Vous êtes responsable de remettre tous les appareils électroniques et électroniques usagés à des points de collecte correspondants.

Pour en savoir plus :
www.quefaireemesdechets.fr

!deao hub

