

# Technical Specifications

## MOBOTIX MOVE 5MP Vandal Fixed Dome Analytics Camera

A performant 5MP resolution camera with integrated Video Analytic features for the daily security and surveillance needs. The camera performs fast and reliable auto focus and adapts to different indoor and outdoor scenes.

- Motorized Lens 2.7 to 12 mm, F1.6 to F2.9 with One-Push Auto Focus
- Remote Zoom & Focus
- Wide Dynamic Range (WDR) max. 130 dB
- Integrated Video Analytics
- Triple Power Support (PoE / 12 VDC / 24 VAC)
- Integrated IR LEDs up to 40 m Distance
- IP66 and IK10
- ONVIF Profile S/G/T support
- Extended Temperature Range: -40 to 60 °C/-40 to 140 °F (min. temp. for cold start -30 °C/-22 °F)
- Integrated browser support (Internet Explorer 10 or higher with ActiveX recommended for best performance)



## Technical Specifications

### MOBOTIX 5MP Vandal Fixed Dome Analytics Camera

---

## Product Information

Product Name	5MP Vandal Fixed Dome Analytics Camera
Order Code	Mx-VD1A-5-IR-VA

---

## Image Quality

Image Sensor	5MP, 1/2.7" Progressive CMOS
--------------	------------------------------

Effective (Used) Pixels	H x V = 2720 x 1976 (5MP)
-------------------------	---------------------------

Pixel Size	2.0 um
------------	--------

Frame Rate (maximum)	
----------------------	--

**WDR on:**

H.265/H.264: 2688x1944 @30 fps + 1024x768 @30 fps

H.265/H.264: 2592x1944 @30 fps + 1280x720 @30 fps

H.265/H.264: 2688x1512 @30 fps + 1280x1024 @30 fps

H.265/H.264: 1920x1080 @30 fps + 1920x1080 @30 fps

MJPEG: 1080p @30 fps

**WDR off:**

H.265/H.264: 2688x1944 @30 fps + 1024x768 @30 fps

H.265/H.264: 2592x1944 @30 fps + 1280x720 @30 fps

H.265/H.264: 2688x1512 @30 fps + 1280x1024 @30 fps

H.265/H.264: 1920x1080 @60 fps + 1280x1024 @44 fps

H.265/H.264: 1920x1080 @60 fps + 1280x720 @60 fps

Stream 1 (main stream) with resolutions below 1920x1080 can support 2 streams @60 fps

MJPEG: 1080p @60 fps

---

## Lens

Minimum Illumination	Color: 0.08 lux B/W: 0.008 lux
Lens Characteristics	Motorized Lens: Zoom, Focus, P-IRIS Focal Length: 2.7 to 12 mm Aperture: F1.6 to F2.9 Horizontal Field of View: 102.1° (Wide), 31.5° (Tele) Vertical Field of View: 70.3° (Wide), 22.7° (Tele)
Lens Mechanics	3-Axis adjustment

---

## Camera

Day/Night	Automatic mechanically switchable IR-cut filter
Shutter Time	<b>Manual mode:</b> WDR: 30 fps, 1/17550 s Linear: 60 fps, 1/37440 s <b>Automatic Mode:</b> 1 to 1/10000 s
WDR	Up to 130 dB Multi Exposure WDR & HDR Engine support
Zoom	Optical: 4.4x, Digital 10x
Image settings	Color, Brightness, Sharpness, Contrast White Balance, Exposure Control 2DNR, 3DNR, NR by Motion Masking, Text Overlay
Corridor Mode	90°, 180°, 270° Rotation

---

## Video Codec

Compression/Encoding	H.265/H.264/MJPEG
Streaming	Up to 4 individually configurable streams in H.264/H.265/MJPEG Configurable resolution/frame rate/bandwidth LBR/ VBR/CBR in H.265/H.264

---

## Technical Specifications

### MOBOTIX 5MP Vandal Fixed Dome Analytics Camera

---

#### Audio Codec

Compression/Encoding	G.711/G.726/AAC/LPCM
Streaming	2-Way, bidirectional
Audio Input	Line In: Max 6.2 Vpp Signal In, Input Impedance: 33K $\Omega$
Audio Output	Line Out: 1Vrms Signal Out, Output Resistance: 200 $\Omega$

---

#### Network

Interface	10/100 Mbps Ethernet
Security	User Authentication/HTTPS/IP Filter/IEEE 802.1x
Supported Protocols	iARP, PPPoE, IPv4/v6, ICMP, IGMP, QoS, TCP, UDP, DHCP, UPnP, SNMP, SMTP, RTP, RTSP, HTTP, HTTPS, FTP, NTP, DDNS, SMBv2
ONVIF conformance	Supports profiles S/G/T
Supported Browsers	Microsoft Internet Explorer 10 or higher, Google Chrome, Mozilla Firefox, Apple Safari; Internet Explorer 10 or higher with ActiveX recommended for best performance

---

#### System Integration

Base Video Analytics	<ul style="list-style-type: none"><li>■ Motion Detection</li><li>■ Tampering</li><li>■ Audio noise Detection</li></ul>
----------------------	--

Enhanced Video Analytics	Embedded enhanced Video Analytic package: <ul style="list-style-type: none"><li>■ Abandoned object</li><li>■ Intrusion</li><li>■ Sabotage</li><li>■ Wrong direction</li><li>■ Loitering</li><li>■ Object count</li><li>■ Object removal</li></ul> 2 analytic functions can be activated simultaneously
--------------------------	--

---

---

# Technical Specifications

## MOBOTIX 5MP Vandal Fixed Dome Analytics Camera

---

Event Triggers	<ul style="list-style-type: none"><li>■ External input</li><li>■ Analytics</li><li>■ Network failure detection</li><li>■ Periodical event</li><li>■ Manual trigger</li></ul>
Event Actions	<ul style="list-style-type: none"><li>■ External output activation</li><li>■ Video and audio recording to edge storage</li><li>■ File upload: FTP, network share and email</li><li>■ Notification: HTTP, FTP, email</li></ul>

---

### General

Casing	Metal Housing
Device Color	Metal Body housing: RAL 9003 - Logo color: Pantone 286C and Pantone Gray 6 Cu
Power	PoE IEEE802.3af, class 0, max. 13 W 12 V DC, max. 13 W 24 V AC, max. 14 W (25 VA) Zero-Down-Time Power Source Switching
Connectors	RJ45, Alarm in x2, Alarm out x1, 12 VDC Terminal Block, 24 VAC Terminal Block , Audio in 3.5 mm Jack , Audio out 3.5 mm Jack, CVBS Connector COAX (75 Ohm) (CVBS Output available with max. 2 activated streams, requires optional adapter cable 2Pin - COAX)
IR Illumination	Up to 40 m distance depending on scenery reflection
Video Storage	Support for microSD/microSDHC/microSDXC card, Support for recording to NAS, MOBOTIX MOVE NVR
Environmental Protection Class	IP66/IK10

---

## Technical Specifications

### MOBOTIX 5MP Vandal Fixed Dome Analytics Camera

---

Operating Conditions      Temperature range: -40 to 60 °C/-40 to 140 °F (min. temp. for cold start - 30 °C/-22 °F)  
Cold start: max. -30 °C/-22 °F  
Relative humidity: 95 % rel. humidity (non-condensing)

Storage Conditions      -20 to 70 °C/-4 to 158 °F

Approvals      EMC: CE/FCC,  
Safety: LVD,  
Environmental: IP66, IK10

Dimensions      ø 133.8 x 117.4 mm

Weight      760 g

---

# Dimensions

**NOTE!** Download the drilling template from the section or on the MOBOTIX website: [www.mobotix.com](http://www.mobotix.com) > Support > Download Center > Marketing & Documentation > Drilling Templates.

**CAUTION!** Always print or copy at 100% of the original size!

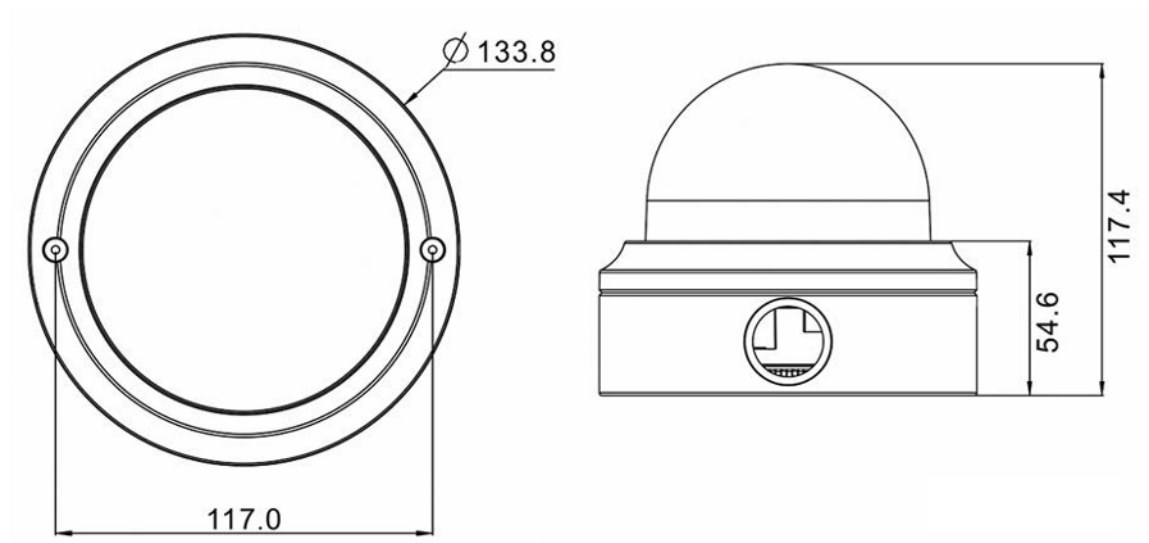


Fig. 1: 5MP Vandal Fixed Dome Analytics Camera: All measurements in mm

# MOBOTIX

BeyondHumanVision

[EN\\_07/21](#)

MOBOTIX AG • Kaiserstrasse • D-67722 Langmeil • Tel.: +49 6302 9816-103 • [sales@mobotix.com](mailto:sales@mobotix.com) • [www.mobotix.com](http://www.mobotix.com)

MOBOTIX is a trademark of MOBOTIX AG registered in the European Union, the U.S.A., and in other countries. Subject to change without notice. MOBOTIX do not assume any liability for technical or editorial errors or omissions contained herein. All rights reserved. © MOBOTIX AG 2020