

Main Specifications of AccurioLabel 190

Technical specifications

Print method	Dry-toner electrophotography
Color support	Full color (CMYK)
Printing resolution / gradation	1200dpi (3600dpi equivalent) x 1200dpi / 8bit
Max. printing image size	480 x 320mm at normal mode, 1195 x 320mm at banner mode
Paper width	330mm
Printed image width	Max. 320mm (maximum image quality-guaranteed width: 297mm)
Max. unwinder / rewinder diameter	φ500mm
Paper thickness range	60 to 250μm
Feeding speed (printing speed)	18.9m/min., 13.5m/min., 9.45m/min. *Speed depends on the paper type (standard speed: 13.5mm)
Compatible file formats	PS, PDF (APPE compatible), 8bitTIFF
VDP file format	PPML, PDF-VT
Printing media *See the list below for details.	Paper: Non-tack paper, tack paper, Film: Tack film (synthetic paper, PP, PET)
Power requirements	Engine: Single phase 200V 22A 50/60Hz Roll feeder/winder: 3-phase, 200V, 4.1KVA 50/60Hz
Operating conditions	Temperature: 10 to 30°C, Humidity: 10 to 80%RH. No condensation. 20%RH gradually decreasing to 10%RH at 10 to 20°C. [Range of guaranteed performance] Temperature: 18 to 23°C, Humidity: 40 to 60%RH

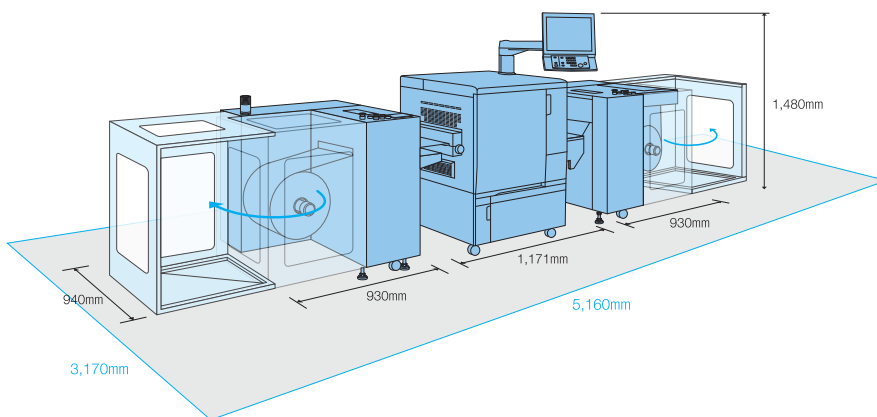
Details of Media

Media *1	Non-tack paper	Tack paper (Peeling paper only.)
Paper		
Plain paper	81 to 176gsm	136 to 256gsm
Gloss coated paper	81 to 176gsm (single side only)	
Matte coated paper	81 to 176gsm (single side only)	
Film		
Synthetic paper (YUPO® *3)	-	136 to 176gsm *2
PP		136 to 176gsm *2
PET (Stretched type)		136 to 216gsm *2

*1: Incompatible depending on the media.

*2: Acrylic glue only.

*3: YUPO® is a registered trade mark of Yupo Corporation.



External dimensions, footprint

Dimensions (W x D x H)	Main unit: 1,171 x 903 x 1,480 mm (operation unit included) Roll feeder/Roll winder: 930 x 940 x 1,480 mm
Footprint (W x D x H)	5,160 x 3,170 x 1,480 mm (operation unit included)
Weight	Approx. 949kg (approx. 2092lb) (all units included) Printer engine: 297kg (approx. 655lb), Roll feeder: approx. 320kg (approx. 705lb), Roll winder: approx. 332kg (approx. 732lb)

AccurioLabel 190



*1 Optional

Requirements for safe use

Please read and follow the instruction manual to ensure safe operation.
Only operate using appropriate power supply and voltage.
Connecting the earth wire to an inappropriate place may cause explosion or electric shock.
Please connect accordingly (Taiwan and the Philippines only).

<http://www.biz.konicaminolta.com/accuriolabel190>

Product appearance, configuration and/or specifications are subject to change without notice.
This product is not available for some countries or regions.

Konica Minolta Business Solutions India Pvt. Ltd. : 10th Floor, Building No.8, Tower C,
DLF Cyber City, Phase II Gurgaon, Haryana - 122002, India. Board No. +91-124 6652000.
URL: www.konicaminolta.in, marcom@bin.konicaminolta.in | Konica Minolta Inc., Tokyo, Japan.

Connect with us :