



Technical Specifications

MOBOTIX MOVE 5MP Vandal Bullet Analytics Camera

A performant 5MP resolution camera with integrated Video Analytic features for the daily security and surveillance needs. The camera performs fast and reliable auto focus and adopts to different indoor and outdoor scenes.

- Motorized Lens 2.7 to 12 mm, F1.6 to F2.9 with One-Push Auto Focus
- Remote Zoom & Focus
- Wide Dynamic Range (WDR) max. 130 dB
- Integrated Video Analytics
- Triple Power Support (PoE / 12 VDC / 24 VAC)
- Integrated IR LEDs up to 40 m Distance
- IP66 and IK10
- ONVIF Profile S/G/T support
- Extended Temperature Range: -40 to 60 °C/-40 to 140 °F (min. temp. for cold start -30 °C/-22 °F)
- Integrated browser support (Internet Explorer 10 or higher with ActiveX recommended for best performance)



Technical Specifications

MOBOTIX 5MP Vandal Bullet Analytics Camera

Product Information

Product Name	5MP Vandal Bullet Analytics Camera
Order Code	Mx-VB1A-5-IR-VA

Image Quality

Image Sensor	5MP, 1/2.7" Progressive CMOS
--------------	------------------------------

Effective (Used) Pixels	H x V = 2720 x 1976 (5MP)
-------------------------	---------------------------

Pixel Size	2.0 um
------------	--------

Frame Rate (maximum)	
----------------------	--

WDR on:

H.265/H.264: 2688x1944 @30 fps + 1024x768 @30 fps

H.265/H.264: 2592x1944 @30 fps + 1280x720 @30 fps

H.265/H.264: 2688x1512 @30 fps + 1280x1024 @30 fps

H.265/H.264: 1920x1080 @30 fps + 1920x1080 @30 fps

MJPEG: 1080p @30 fps

WDR off:

H.265/H.264: 2688x1944 @30 fps + 1024x768 @30 fps

H.265/H.264: 2592x1944 @30 fps + 1280x720 @30 fps

H.265/H.264: 2688x1512 @30 fps + 1280x1024 @30 fps

H.265/H.264: 1920x1080 @60 fps + 1280x1024 @44 fps

H.265/H.264: 1920x1080 @60 fps + 1280x720 @60 fps

Stream 1 (main stream) with resolutions below 1920x1080 can support 2 streams @60 fps

MJPEG: 1080p @60 fps

Lens

Minimum Illumination	Color: 0.08 lux B/W: 0.008 lux
----------------------	-----------------------------------

Lens Characteristics	Motorized Lens: Zoom, Focus, P-IRIS Focal Length: 2.7 to 12 mm Aperture: F1.6 to F2.9 Horizontal Field of View: 102.1° (Wide), 31.5° (Tele) Vertical Field of View: 70.3° (Wide), 22.7° (Tele)
----------------------	--

Camera

Day/Night	Automatic mechanically switchable IR-cut filter
Shutter Time	Manual mode: WDR: 30 fps, 1/17550 s Linear: 60 fps, 1/37440 s Automatic Mode: 1 to 1/10000 s
WDR	Up to 130 dB Multi Exposure WDR & HDR Engine support
Zoom	Optical: 4.4x, Digital 10x
Image settings	Color, Brightness, Sharpness, Contrast White Balance, Exposure Control 2DNR, 3DNR, NR by Motion Masking, Text Overlay
Corridor Mode	90°, 180°, 270° Rotation

Video Codec

Compression/Encoding	H.265/H.264/MJPEG
Streaming	Up to 4 individually configurable streams in H.264/H.265/MJPEG Configurable resolution/frame rate/bandwidth LBR/ VBR/CBR in H.265/H.264

Audio Codec

Compression/Encoding	G.711/G.726/AAC/LPCM
Streaming	2-Way, bidirectional
Audio Input	Line In: Max 6.2 Vpp Signal In, Input Impedance: 33K Ω
Audio Output	Line Out: 1Vrms Signal Out, Output Resistance: 200 Ω

Network

Interface	10/100 Mbps Ethernet
Security	User Authentication/HTTPS/IP Filter/IEEE 802.1x
Supported Protocols	iARP, PPPoE, IPv4/v6, ICMP, IGMP, QoS, TCP, UDP, DHCP, UPnP, SNMP, SMTP, RTP, RTSP, HTTP, HTTPS, FTP, NTP, DDNS , SMBv2

Technical Specifications

MOBOTIX 5MP Vandal Bullet Analytics Camera

ONVIF conformance Supports profiles S/G/T

Supported Browsers Microsoft Internet Explorer 10 or higher, Google Chrome, Mozilla Firefox, Apple Safari;
Internet Explorer 10 or higher with ActiveX recommended for best performance

System Integration

Base Video Analytics

- Motion Detection
- Tampering
- Audio noise Detection

Enhanced Video Analytics Embedded enhanced Video Analytic package:

- Abandoned object
- Intrusion
- Sabotage
- Wrong direction
- Loitering
- Object count
- Object removal

2 analytic functions can be activated simultaneously

Event Triggers

- External input
- Analytics
- Network failure detection
- Periodical event
- Manual trigger

Event Actions

- External output activation
- Video and audio recording to edge storage
- File upload: FTP, network share and email
- Notification: HTTP, FTP, email

General

Casing	Metal Back Housing, PC Front
Device Color	PC Front cover: RAL9003 Sunshield: - Logo color: Pantone 286C and Pantone Gray 6 Cu - Body color: RAL9003 Back metal body: Printing color RAL9003
Power	PoE IEEE802.3af, class 0, max. 13 W 12 V DC, max. 13 W 24 V AC, max. 14 W (25 VA) Zero-Down-Time Power Source Switching
Connectors	RJ45, Alarm in x2, Alarm out x1, 12 VDC Terminal Block, 24 VAC Terminal Block , Audio in 3.5 mm Jack , Audio out 3.5 mm Jack, CVBS Connector COAX (75 Ohm) (CVBS Output available with max. 2 activated streams)
IR Illumination	Up to 40 m distance depending on scenery reflection
Video Storage	Support for microSD/microSDHC/microSDXC card, Support for recording to NAS, MOBOTIX MOVE NVR
Environmental Protection Class	IP66/IK10
Operating Conditions	Temperature range: -40 to 60 °C/-40 to 140 °F (min. temp. for cold start - 30 °C/-22 °F) Cold start: max. -30 °C/-22 °F Relative humidity: 95 % rel. humidity (non-condensing)
Storage Conditions	-20 to 70 °C/-4 to 158 °F
Approvals	EMC: CE/FCC, Safety: LVD, Environmental: IP66, IK10

Technical Specifications

MOBOTIX 5MP Vandal Bullet Analytics Camera

Dimensions	∅ 105x233.8 mm
------------	----------------

Weight	1210 g
--------	--------

Dimensions

NOTE! Download the drilling template from the section or on the MOBOTIX website: www.mobotix.com > Support > Download Center > Marketing & Documentation > Drilling Templates.

CAUTION! Always print or copy at 100% of the original size!

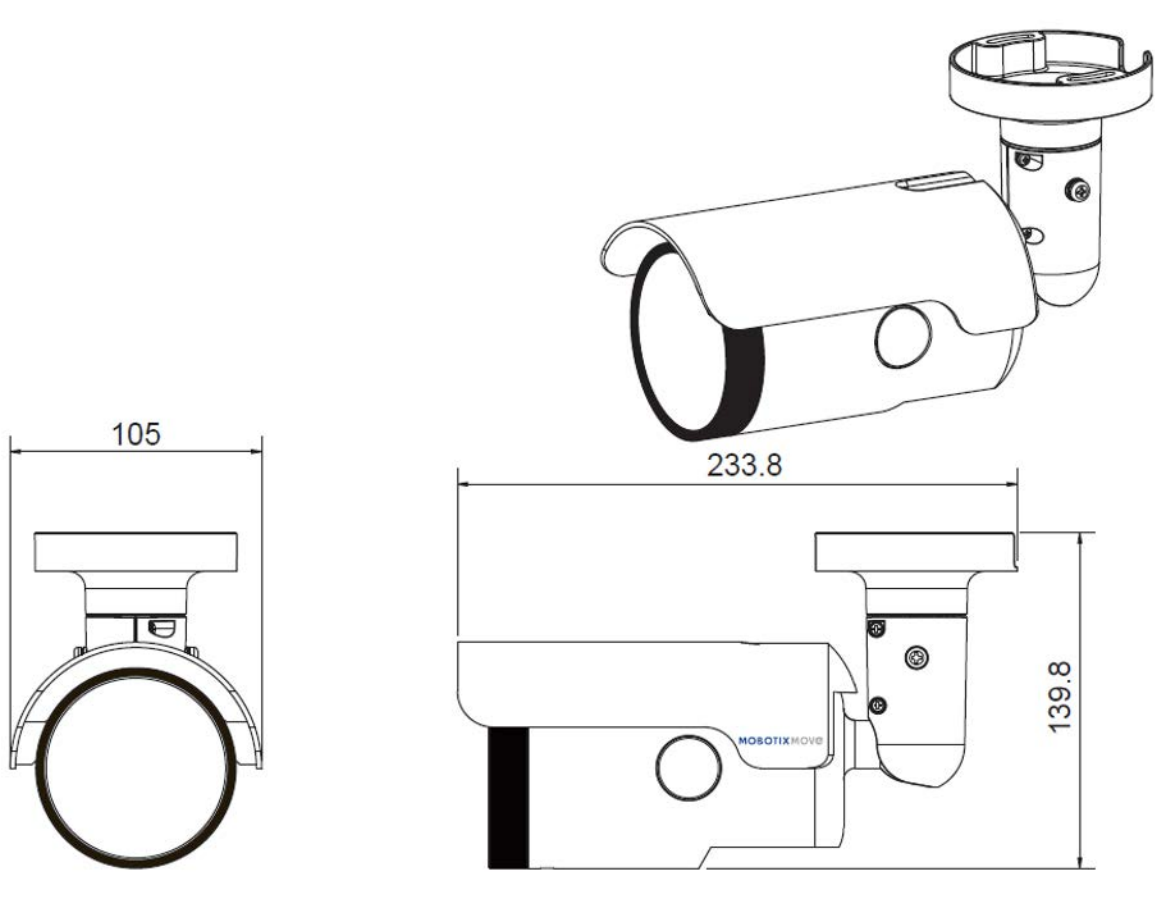


Fig. 1: 5MP Vandal Bullet Analytics Camera: All measurements in mm

MOBOTIX

BeyondHumanVision

[EN_07/21](#)

MOBOTIX AG • Kaiserstrasse • D-67722 Langmeil • Tel.: +49 6302 9816-103 • sales@mobotix.com • www.mobotix.com

MOBOTIX is a trademark of MOBOTIX AG registered in the European Union, the U.S.A., and in other countries. Subject to change without notice. MOBOTIX do not assume any liability for technical or editorial errors or omissions contained herein. All rights reserved. © MOBOTIX AG 2020