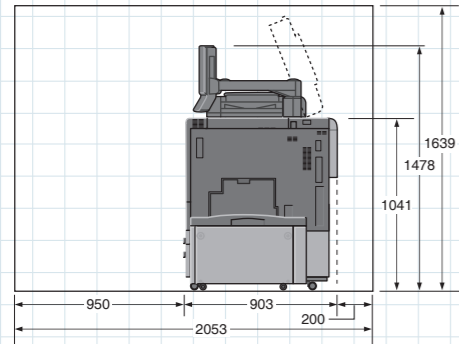
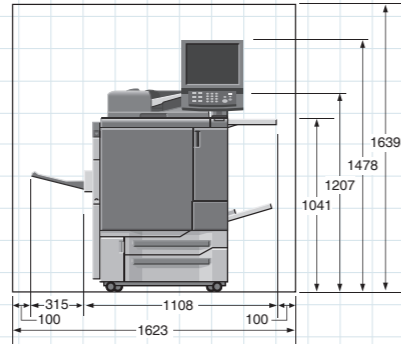




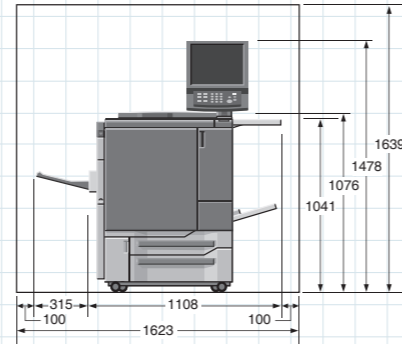
AccurioPress C2070/C2060 Spec Sheet



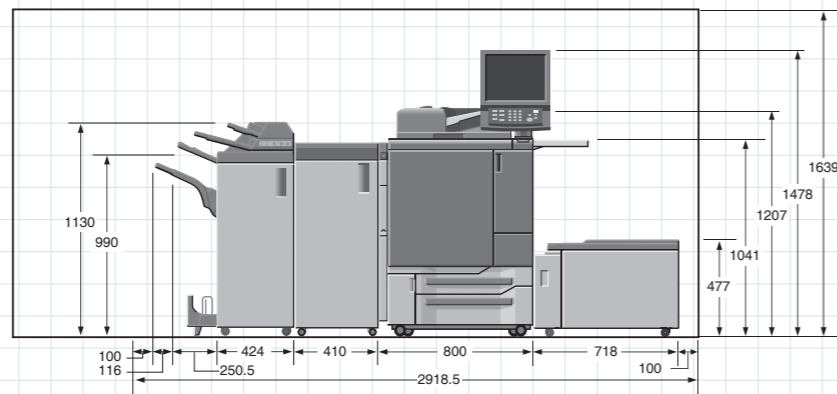
Side View
AccurioPress C2070/C2060+OT-502+
DF-706+MB-506



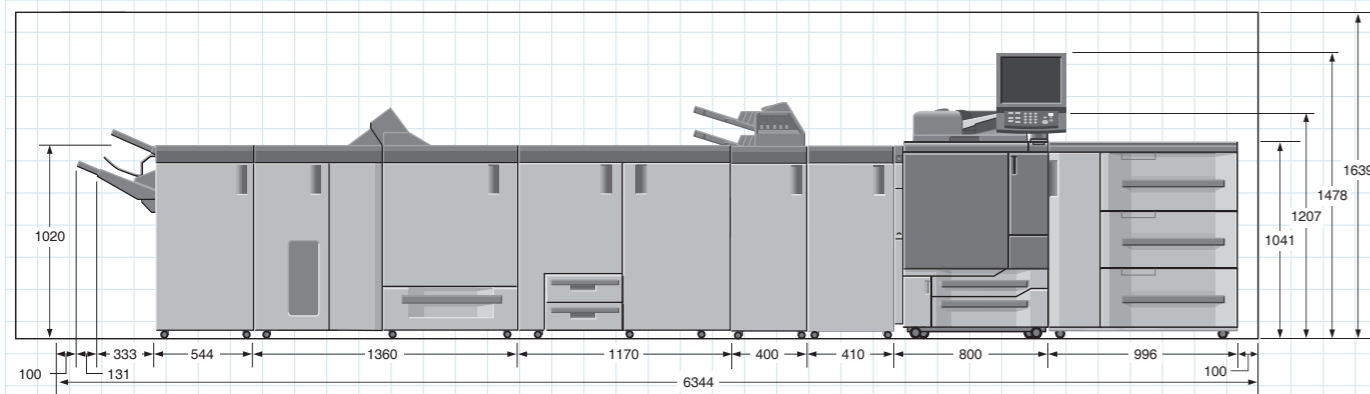
Front View
AccurioPress C2070/C2060+OT-502+
DF-706+MB-506



Front View
AccurioPress C2070/C2060+OT-502+
OC-511+MB-506



Front View
AccurioPress C2070/C2060+FS-612+RU-509+DF-706+LU-202m



Front View
AccurioPress C2070/C2060+FS-532+PB-503+SD-506+FD-503+RU-509+DF-706+PF-707

System

*1 The WT-511 can not be installed when you connect the PF-602m and the PF-707.
*2 Select one of OC-511 or DF-706. However, it is not for C2070P since it does not have a scanner and the DF function.

